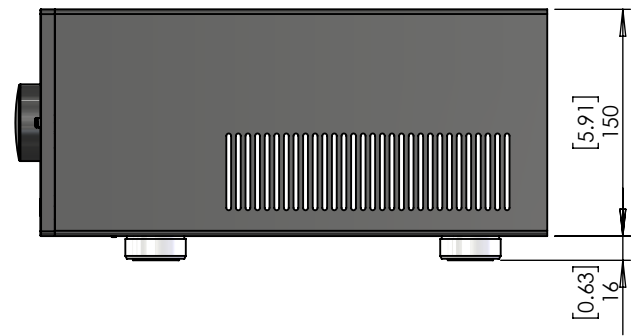


**MRX-AVM ISO VIEW**



<b>PARADIGM ELECTRONICS INC.</b>			
<small>This drawing is issued in the strictest confidence and shall not be used for, or as the basis of the manufacture of any product in whole or in part, without the express written consent of Paradigm Electronics Inc., © 2014</small>			
Description: <b>MRX-AVM DIMENSIONAL LAYOUT</b>			
Material: <b>SEE INDIV. PARTS</b>	Designed By: N. HO	Date: OCT 20, 2020	
Finish: <b>SEE INDIV. PARTS</b>	Drawn By: N. HO	Date: OCT 20, 2020	
Dims: <b>MM</b> Scale: <b>1:5</b>	Dwg.Approved By: X	Date: X	
<b>DO NOT SCALE DRAWING</b>		DWG No.	REV No. <b>A</b>
Size: <b>A</b>	Sheet: 1 OF 1	Part No.	