

PRESTIGE™

Series Owners Manual



IMPORTANT! READ BEFORE WALL-MOUNTING PARADIGM PRESTIGE 25S SURROUND/REAR SPEAKERS:



Wall mount your Paradigm Prestige 25S speakers securely enough that they cannot fall and cause personal injury or damage to property.



Paradigm DOES NOT supply hardware for mounting Paradigm Prestige 25S speakers to the wall. Always use screws appropriate for wall type and weight of speakers.



If installing into drywall, install into 1/2" (13 mm) or 5/8" (16 mm) drywall only. Screws must be long enough to go through anchor bolts (*not supplied*) and firmly into drywall.

NON LIABILITY: We are aware that the mounting assemblies provided for speakers in this manual could be used for purposes and in ways other than those for which they were intended. The manufacturer, distributor, retailer and their respective agents cannot be held responsible or liable for injuries or property damage—direct, indirect or consequential—arising from the use of or inability to use these products safely and properly. Every effort has been made to provide accurate, error-free installation instructions. Paradigm Electronics Inc. disclaims liability for difficulties that may arise from the misinterpretation of information contained in these instructions.



RECYCLING AND REUSE GUIDELINES (Europe)



In accordance with the European Union WEEE (Waste Electrical and Electronic Equipment) directive effective August 13, 2005, we would like to notify you that our speakers may contain regulated materials which, upon disposal, require special reuse and recycling processing. For this reason Paradigm Electronics Inc. (the manufacturer of Paradigm speakers and Anthem electronics products) has arranged with its distributors in European Union member nations to collect and recycle this product at no cost to you. To find your local distributor please contact the dealer from whom you purchased this product or go to our website at paradigm.com.

Please note that only the product falls under the WEEE directive. When disposing of packaging and other shipping material we encourage you to recycle through the normal channels.

PARADIGM, PARADIGM REFERENCE COLLECTION, PRESTIGE and all associated proprietary and patented designs and technologies are registered trademarks of Paradigm Electronics Inc. Copyright © Paradigm Electronics Inc. All rights reserved. All other trademarks are the property of their respective owner(s). Paradigm Electronics reserves the right to change specifications and/or features without notice as design improvements are incorporated.

paradigm.com



Paradigm Electronics Inc.,
205 Annagem Boulevard,
Mississauga, ON, Canada L5T 2V1

MAN0099 | 012815

TABLE OF CONTENTS

Introduction	1	Optimal Imaging	10
Unpacking Instructions (Floorstanding Speakers) Securing Rubber Feet (Floor) or Spikes (Carpet)	2	Optional On-Wall Mounting of Front Speakers	10
General Tips	3	Placement: Center Speaker	11
Break in	3	Placement: Surround / Rear Speakers .	12
Cleaning	3	5.1 Surround Configuration	12
Preventing Speaker Damage	3	7.1 Surround Configuration	12
Amplifier Distortion — The #1 Culprit! ..	3	Wall-Mounting	12
More Powerful Amplifiers are Safer ...	3	Stand Mounting	12
Volume Control	3	Speaker Connection	13
There is a Limit!	4	Minimum Gauge Requirements	13
The Right Amount of Power	4	Standard Connection for Prestige 15B ..	14
Your Listening Room	4	Standard Connection for All Speakers (Except Prestige 15B)	15
Stand Mounting (Optional)	5	Bi-Wire Connection	16
Attaching Bumper Pads to Bookshelf/Center/Surround Speakers	6	Bi-Amp Connection	17
Bookshelf and Center Speakers	6	Horizontal Bi-Amplification	18
Surround Speakers	6	Horizontal Bi-Amplification	18
Placement: Front Left & Right Speakers	7	Fine Tuning	18
Accurate Timbre	8	Basic Troubleshooting	19
Balanced Bass	9	Specifications	20
		Limited Warranty	23

INTRODUCTION

Thank you for purchasing Paradigm® Prestige™ Series speakers; we are confident that you will hear a stunning difference in your music and home theater system listening experience.

Paradigm's Comprehensive R&D, leading-edge technology, use of the finest materials and sophisticated manufacturing and quality control techniques provide vastly superior performance for each component part and at every stage of design. Paradigm® Prestige™ speakers will provide you with unparalleled listening pleasure for many years to come.

To achieve all of the exceptional sound that these speakers are capable of providing requires care in installation and operation. Please take the time to read this manual and follow all instructions. If you have further questions, contact your Authorized Paradigm® Reference Collection Dealer or visit the Frequently Asked Questions page in the Support section of our website at paradigm.com.

UNPACKING INSTRUCTIONS (FLOORSTANDING SPEAKERS)

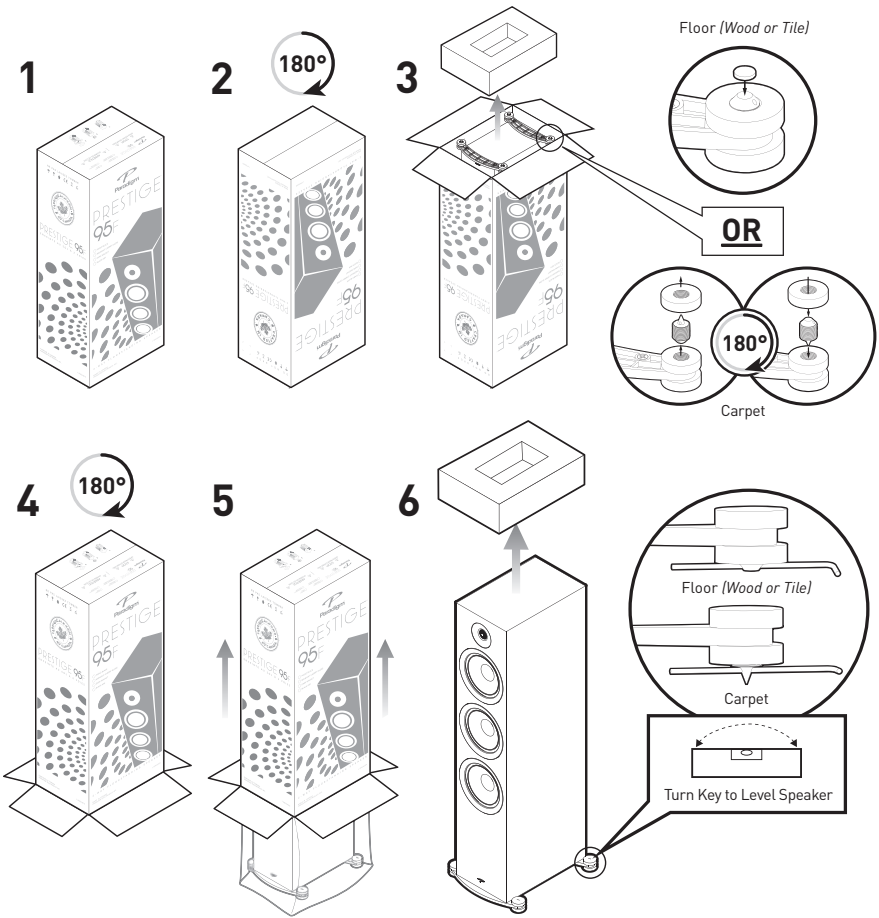
Securing Rubber Feet (Floor) or Spikes (Carpet)



IMPORTANT! Follow These Steps Before Proceeding!



IMPORTANT! When removing the speaker from the carton, ensure belt buckles, rings or other jewellery do not come into contact with the speaker and scratch the finish.



GENERAL TIPS

Break-In

Although Paradigm Prestige speakers sound great “out of the carton,” they will sound even better once they are “broken in.” Allow them to play for several hours before you begin any critical listening.

NOTE: If your speakers have been transported or stored in the cold, let them warm to room temperature before use.

Cleaning

Prestige speakers have a durable premium finish. To clean, use a damp soft cloth. Do not use a strong or abrasive cleaner. Avoid getting any part of the speaker system wet. Do not place wet objects (drinking glasses, potted plants, etc.) on top of the speakers—if allowed to soak in, even a small amount of water may permanently damage the speaker enclosure.

PREVENTING SPEAKER DAMAGE

Paradigm Prestige speakers are efficient and can be driven to loud listening levels with moderate amplifier power. They are also able to handle the output of very powerful amplifiers. To prevent damage to your speakers, please read the following guidelines before hooking them up.

Amplifier Distortion — The #1 Culprit!

Amplifier distortion is the principal cause of speaker damage. When listening at loud levels your amplifier may run out of clean power. It will then begin to produce distorted power several times greater than its rated output power. This will damage any brand of speaker very quickly! *(Ask your Dealer for amplifier recommendations.)*

More Powerful Amplifiers are Safer

A 40 watt/channel amplifier will have substantial distortion above 40 watts. If driven to 50 watts, this amplifier will deliver distorted power—which will damage the speaker! A 100 watt/channel amplifier will have substantial distortion above 100 watts, but very low distortion below 100 watts. Therefore, when the speaker requires 50 watts, this more powerful amplifier will deliver clean power and speaker damage is less likely to occur.

Volume Control

Do not be fooled by the Volume Control of your receiver/preamplifier. It only adjusts listening level—it is not a “power-output” dial. The amount of amplifier power actually used at a given Volume Control setting depends solely on the nature of the music you are listening to.

At a given Volume Control setting a quiet section of music will use less amplifier power than a loud section. With typical pop-rock, jazz or large scale classical music, the rated output power of many receivers/amplifiers is often reached when the Volume Control is between the “11 and 1 o’clock” settings (with bass/treble and loudness controls not used—otherwise rated power may be reached at even lower Volume Control settings).

PREVENTING SPEAKER DAMAGE *(continued)*

Remember, all amplifiers produce distortion when operated beyond their rated output power. The resulting distortion will damage all speakers! Exercise caution! If you listen at loud levels, be careful to listen for the point of audible distortion—if the speakers begin to sound distressed turn the Volume Control down or your speakers and/or amplifier(s) will be damaged! **This type of damage constitutes abuse and is not covered by the warranty.** If louder volumes are desired, obtain a more powerful amplifier.

There is a Limit!

Although more powerful amplifiers are safer, there is a point at which you could have more power than the speaker can handle. At that point you will overpower the speaker and damage it. Exercise caution! At loud levels do not increase bass/treble controls from zero and ensure that all loudness/contour/bass EQ buttons are off (otherwise rated output power will be reached at lower volume control settings). If you listen at loud levels, watch for excessive visible cone excursion (grille movement) from the woofer—then turn the Volume Control down.

The Right Amount of Power

A power-range rating is given as a guide to indicate the approximate minimum and maximum power input of your Paradigm Prestige speakers. Amplifiers that exceed your speaker's power-range rating are recommended. Their greater power reserves provide better sound. However, exercise caution! Use the speakers within their power-range rating to prevent damage (keep listening levels below the point of excessive woofer cone excursion).

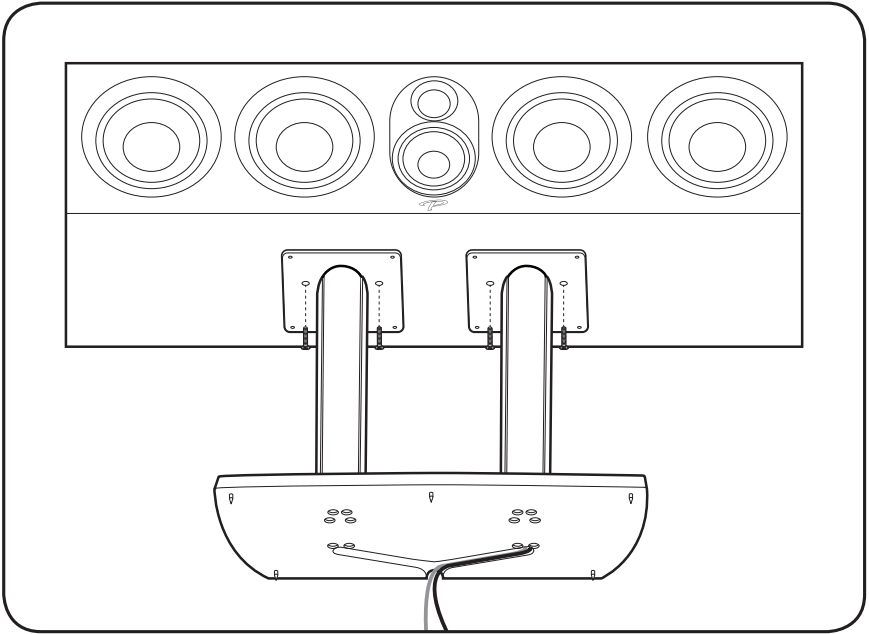
YOUR LISTENING ROOM

Paradigm Prestige speakers are designed to provide superior high-end sound in a wide variety of domestic settings. However, it is important to note that listening room construction, dimensions and furnishings all play a part in the quality of sound you will ultimately achieve. Your listening room will impose its own character on the performance capabilities of any speaker system. The extra care you take in correctly positioning the speakers will result in greater listening enjoyment. Keep the following guidelines in mind when deciding on the best.

- Mid and high frequencies are affected by the amount of soft furnishings in your room—curtains, carpets, sofas, wall coverings, etc. An excess of such items can result in a somewhat dull sound. The same room without any soft furnishings can produce a bright overall sound. The typical quantity of soft furnishings found in most living situations provide the right acoustic characteristics to allow the speakers to sound balanced;
- Concrete floors and walls tend to aggravate low-frequency standing wave problems and are less preferred;
- Rooms where height, width and length are similar should be avoided as they can exhibit significant low-frequency standing wave problems. This may result in reduced clarity. If no other room is possible, experiment with speaker placement to minimize acoustic problems.

STAND MOUNTING *(optional)*

The Paradigm Prestige 55C and Prestige 45C center channel speakers can be mounted to Paradigm's J-18C stand if desired. Ask your Paradigm dealer for details.



Stand Mounting a Center Channel Speaker *(Prestige 55C Shown)*

ATTACHING BUMPER PADS TO BOOKSHELF/CENTER/ SURROUND SPEAKERS



IMPORTANT! To prevent damage to your speaker's finish, place the top side of your speaker on a soft surface (rug, blanket, etc.) before applying the bumper pads to the bottom side corners.

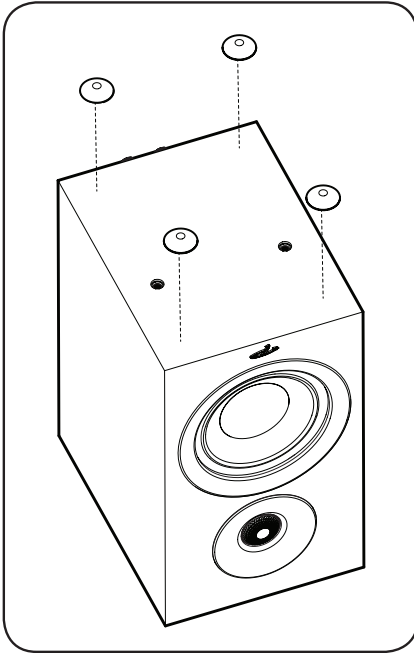
Bookshelf and Center Speakers

Self-adhesive bumper pads (included) should be applied to the bottom corners of Paradigm Prestige bookshelf and center-channel speakers (see illustrations below) when placed on a shelf or other flat surface. This will isolate your speakers from the solid surface, improving overall sound quality.

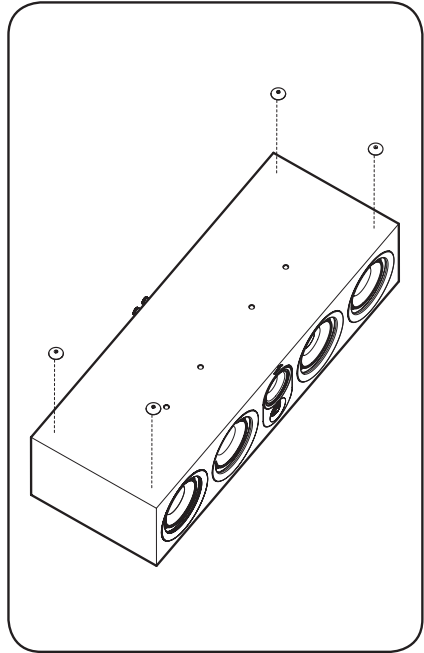
NOTE: As an alternative, you may choose to stand mount your Paradigm Prestige 15B bookshelf speakers using Paradigm stands. Ask your Paradigm dealer for details.

Surround Speakers

As an option, you may choose to apply the self-adhesive bumper pads to the back of the Paradigm Prestige 25S surround speaker. This application prevents acoustic resonance from the wall your speaker is mounted to.



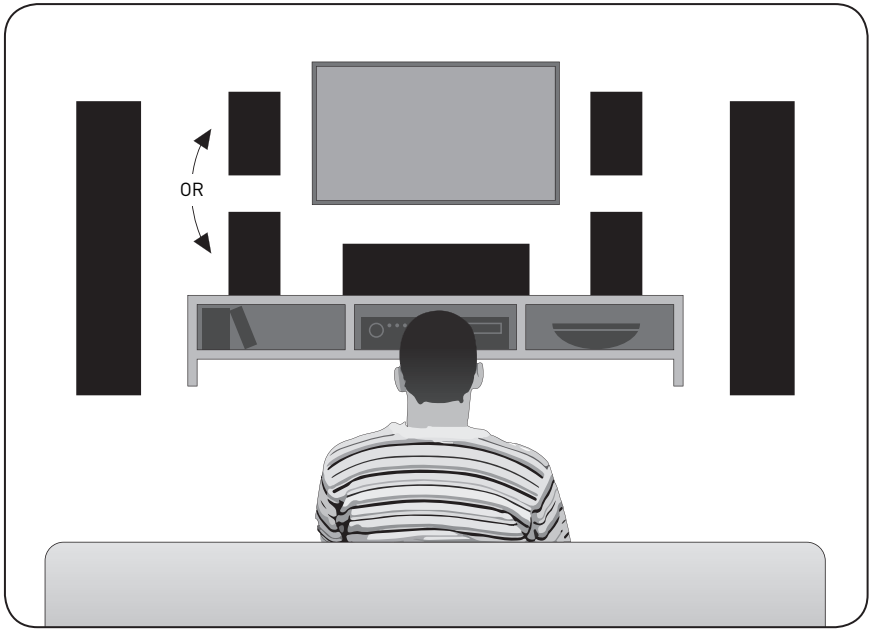
Bookshelf Speaker
(Prestige 15B Shown)



Center Channel Speaker
(Prestige 55C Shown)

PLACEMENT: FRONT LEFT & RIGHT SPEAKERS

Pardigm Prestige front speakers are designed to allow flexible placement while providing a very large window of sound throughout your listening room. To ensure the best performance possible we strongly recommend that you observe the placement guidelines on the following pages ...



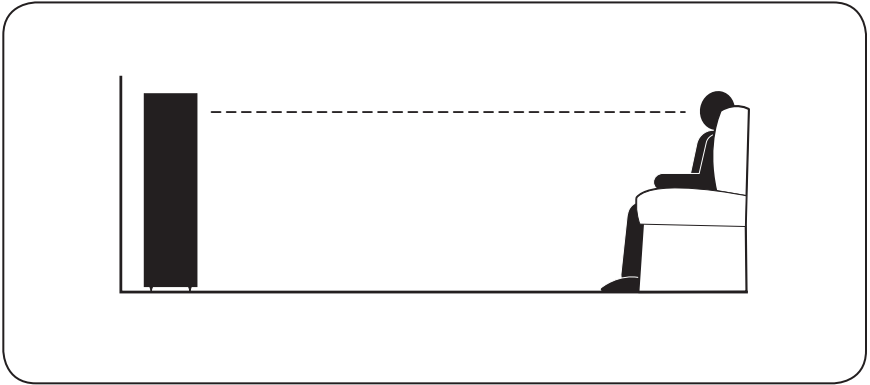
Ideal placement of left and right speakers

PLACEMENT: FRONT LEFT & RIGHT SPEAKERS *(continued)*

Accurate Timbre

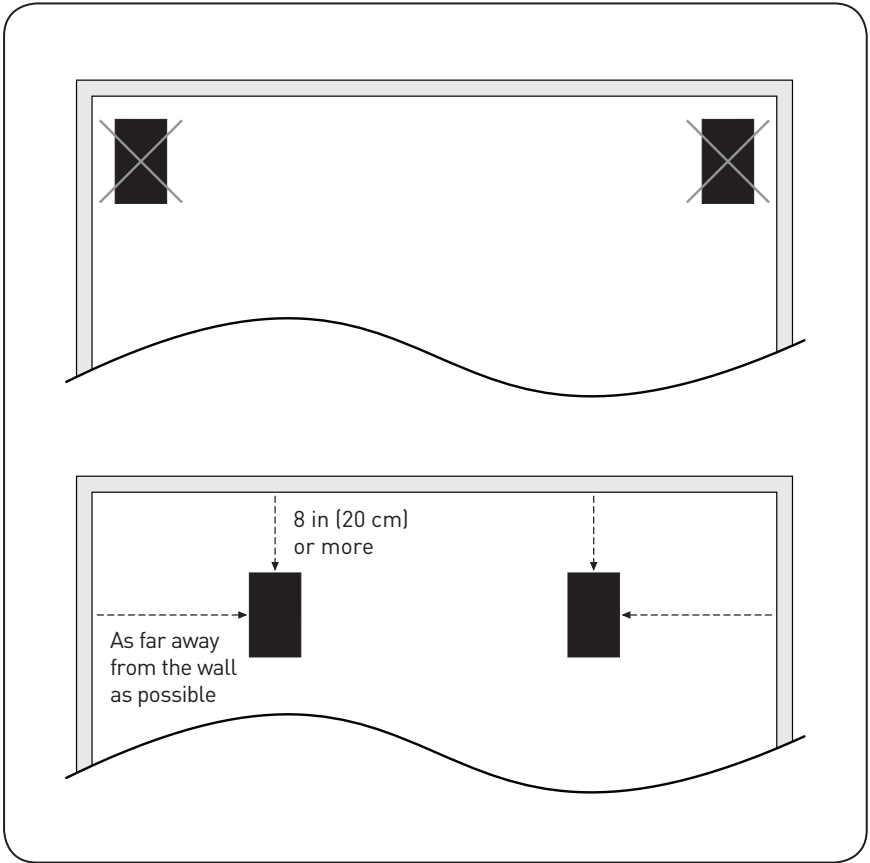
For the most accurate and natural timbre, place front speakers so that their high-frequency drivers are approximately at ear level, as shown below.

Placing bookshelf models on Paradigm speaker stands (sold separately) or bookshelves raises their high-frequency drivers to approximately ear level, thereby ensuring the best performance possible.



Balanced Bass

Placing front speakers in corners will over-emphasize bass and reduce overall clarity. Avoid corner placement. Position front speakers 8 in (20 cm) or more from the wall behind the speaker and as much as possible from either side wall, as shown below. This will ensure better bass performance and optimal midrange clarity.



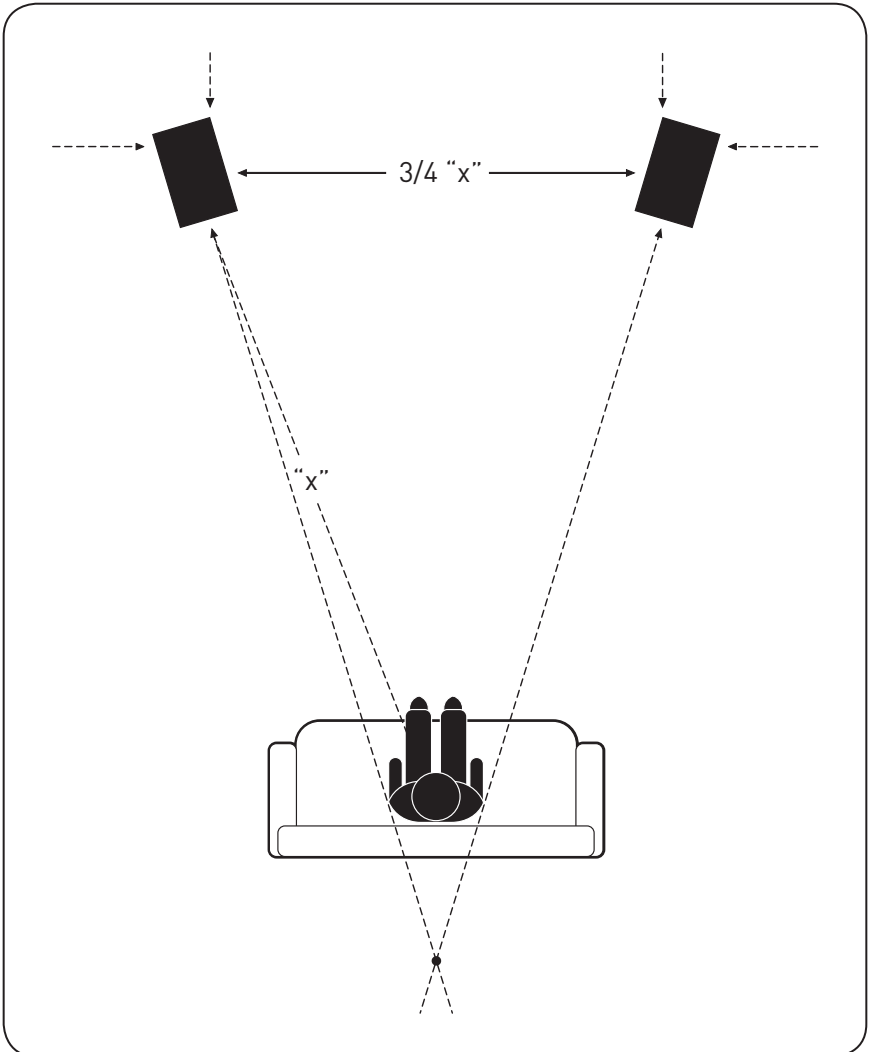
PLACEMENT: FRONT LEFT & RIGHT SPEAKERS *(continued)*

Optimal Imaging

Measure the distance from your main listening area to the front speakers ("X"). For best imaging, place speakers from three-quarters of that distance up to that same distance from each other ($3/4$ of "X" to "X"), as shown. To further optimize imaging, toe speakers slightly inward so they point toward the listening position with their axes crossing just behind it, as shown.

Optional On-Wall Mounting of Front Speakers

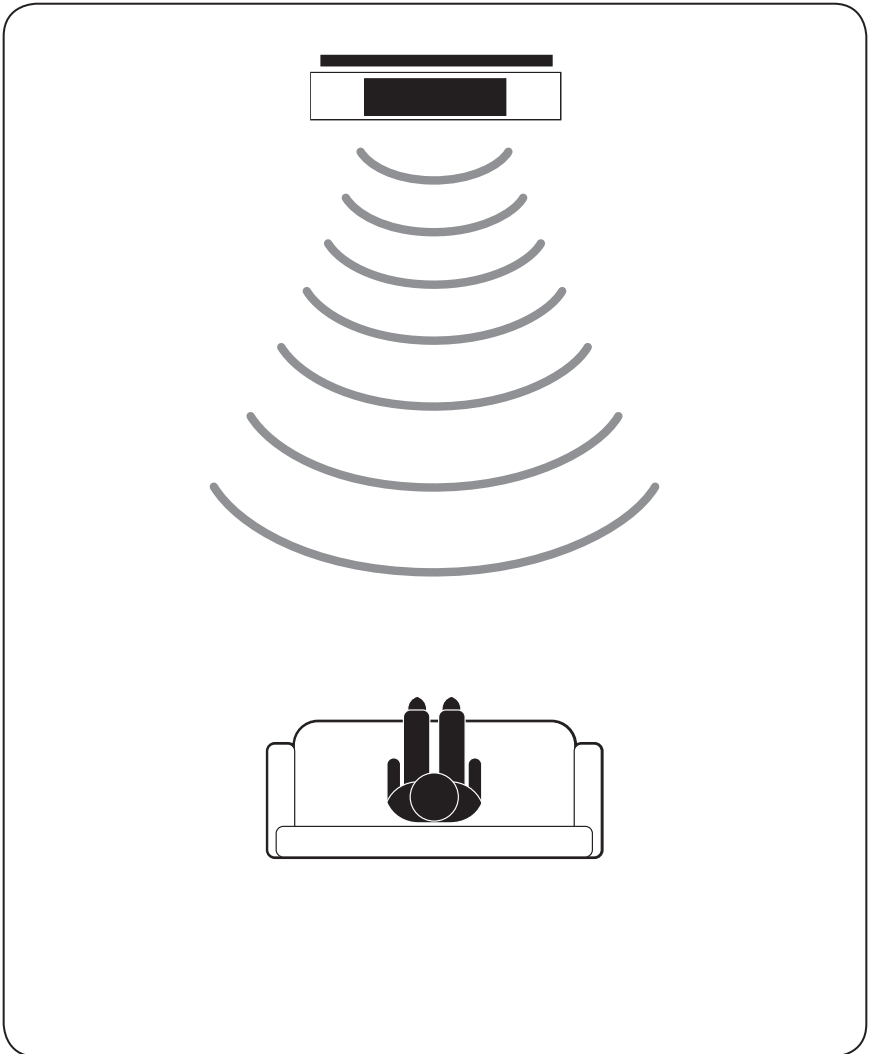
Follow the directions for placement given under "Optimal Imaging" above and use the mounting instructions provided with your mounting brackets (sold separately) to safely and securely mount your speakers on the wall.



PLACEMENT: CENTER SPEAKER

Paradigm Prestige Series center channel speakers are designed to cover a large, wide listening area, allowing listeners throughout the room to hear center-channel information with unprecedented clarity and intelligibility.

Placing your center-channel speaker below (or above) the TV will ensure the best possible clarity and intelligibility. Position the speaker flush with the front of the TV or speaker shelf to minimize unwanted sound reflections. Make sure the center-channel is approximately the same distance away from the primary listening position as your front speakers. (Some A/V receivers/processors can electronically adjust for differences in distance.)



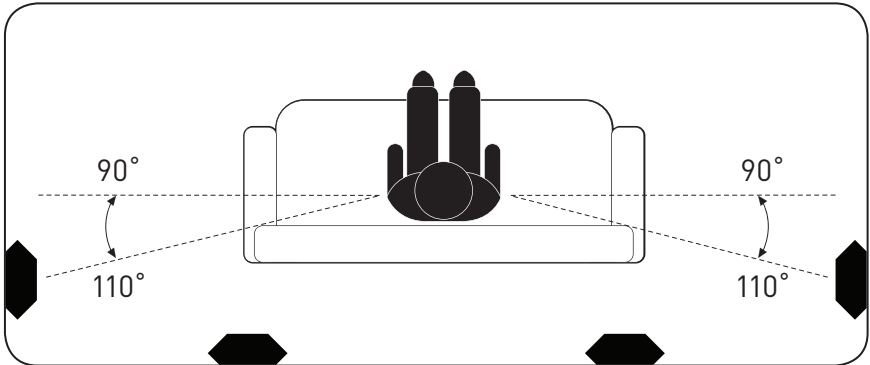
PLACEMENT: SURROUND / REAR SPEAKERS

5.1 Surround Configuration

Position one speaker on each side of the listening area, as shown below.

7.1 Surround Configuration *(adds two rear speakers to a typical 5.1 surround configuration)*

Position speakers behind the listening area—one speaker slightly right and the other slightly left, as shown.



Wall Mounting

For wall mounting instructions for the Paradigm Prestige 25S, refer to the Wall Mounting Instructions included with the speaker.

Stand Mounting

For stand mounting instructions for the Paradigm Prestige 25S, refer to the Stand Mounting Instructions included with an optional Paradigm J-Series stand. Ask your Paradigm dealer for details.

SPEAKER CONNECTION



IMPORTANT! Turn your amplifier(s) OFF before connecting your speakers. This will avoid damage which could result from accidental shorting of speaker cables.

For optimum sound, the use of high quality speaker cable is essential. The chart below identifies the minimum gauge requirements for various lengths (See your Dealer for recommendations).

MINIMUM GAUGE REQUIREMENTS		
LENGTH	DIAMETER	GAUGE
Under 4.5 m (15 ft)	1.3 mm (0.05 in)	16 awg
Under 9 m (30 ft)	1.6 mm (0.06 in)	14 awg
Over 9 m (30 ft)	2.0 mm (0.08 in)	12 awg

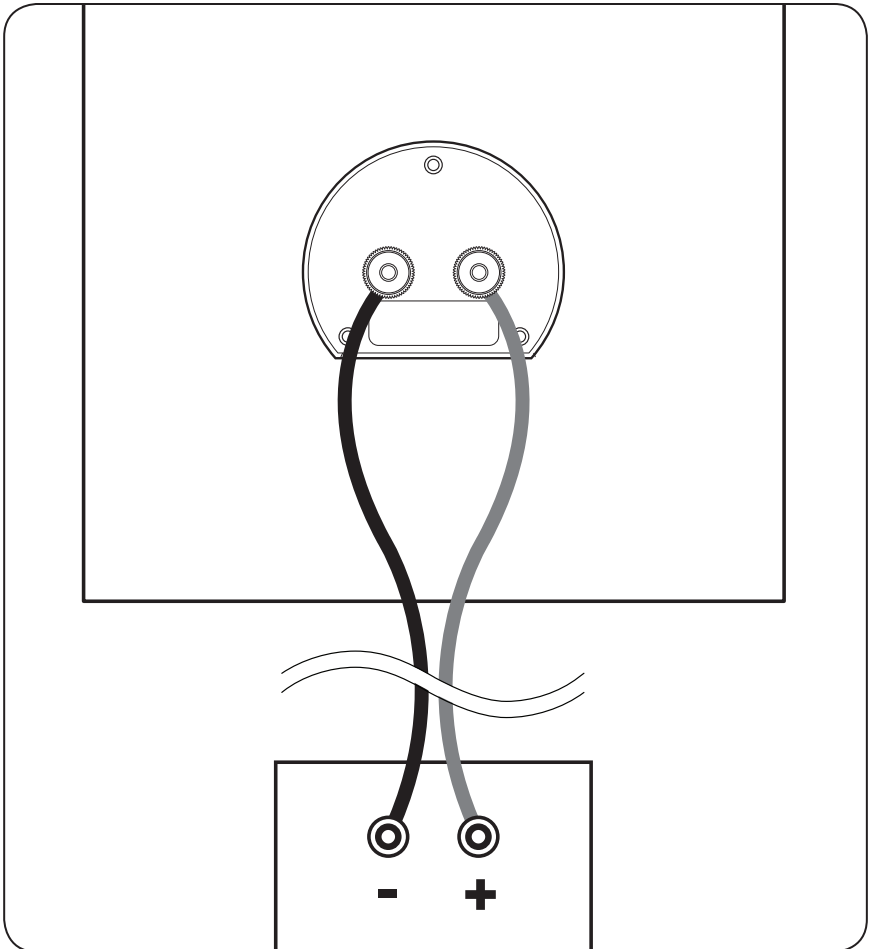
SPEAKER CONNECTION *(continued)*

Standard Connection for Prestige 15B

Your speakers' binding posts can be used with banana, pin or spade connectors, as well as with bare wire. Tighten the posts firmly by hand but do not over tighten!

Correct polarity (or phase) is critical for proper soundstage imaging and bass performance. Connect one speaker at a time to ensure proper connection of every channel. The red (+) amplifier terminal must be connected to the red (+) speaker terminal. The same applies to the black (-) terminals. Make sure all wires are firmly fastened. Repeat this connection procedure for each speaker in your system.

NOTE: If you hear a distinct lack of bass and a dislocated stereo image then one or more of your speakers may be connected out of phase (polarity is reversed). Re-check to ensure that each speaker's cable is connected with correct polarity: red (+) to red (+) and black (-) to black (-).



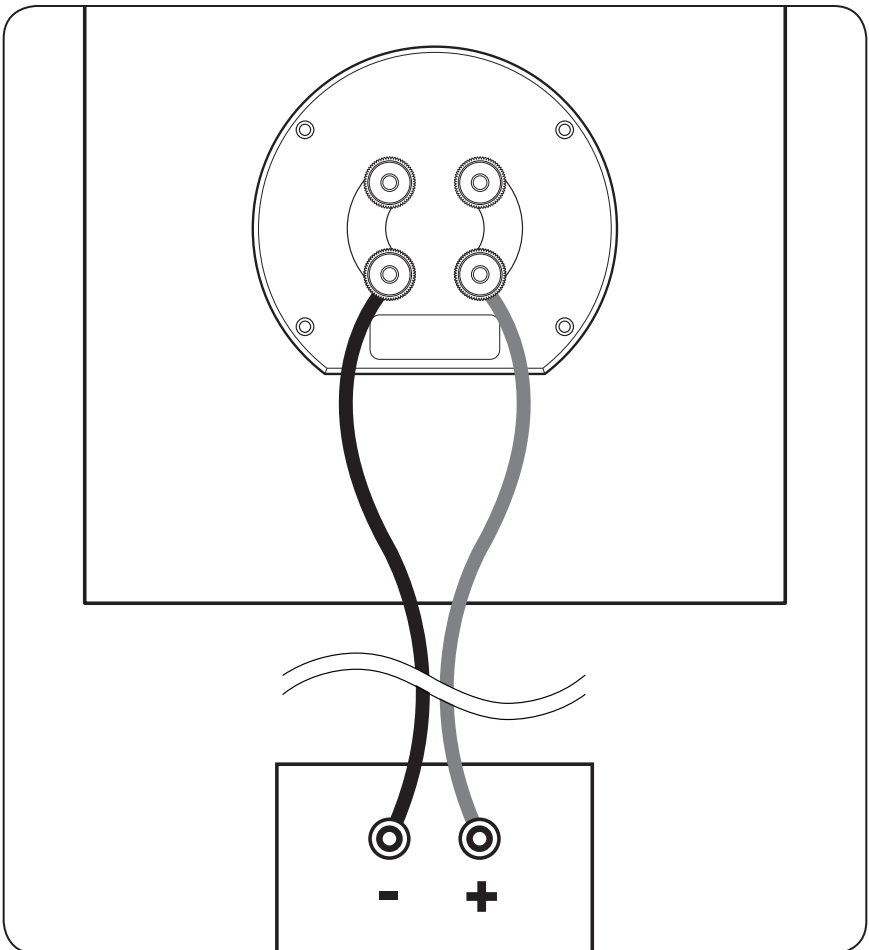
Standard Connection for All Speakers (Except Prestige 15B)



DO NOT attempt to bi-wire or bi-amplify speakers unless you have removed the jumper bars.

All Paradigm Prestige speakers (except Prestige 15B) have two sets of input terminals connected externally with jumper bars. These speakers can be bi-wired or bi-amplified to achieve even better performance.

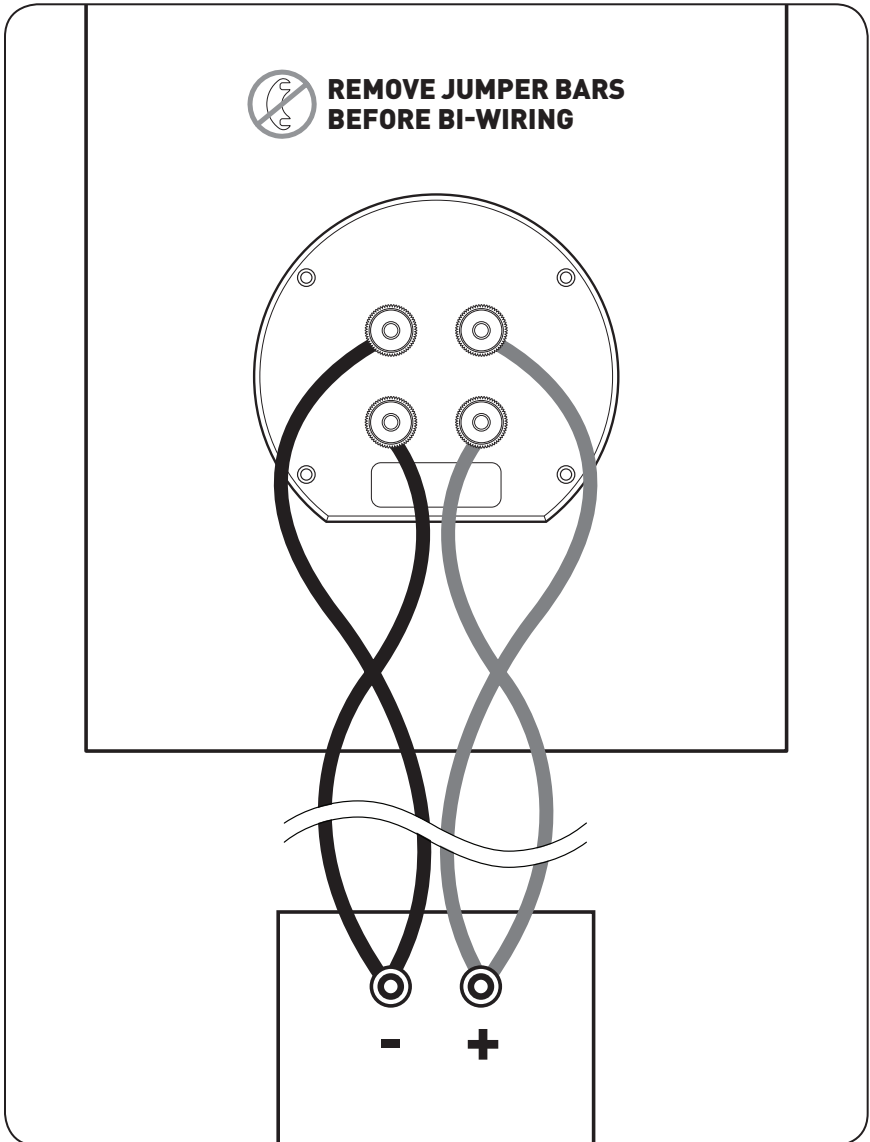
For standard connection of speakers with two input terminals, leave the jumper bars attached and connect using either set of input terminals.



SPEAKER CONNECTION *(continued)*

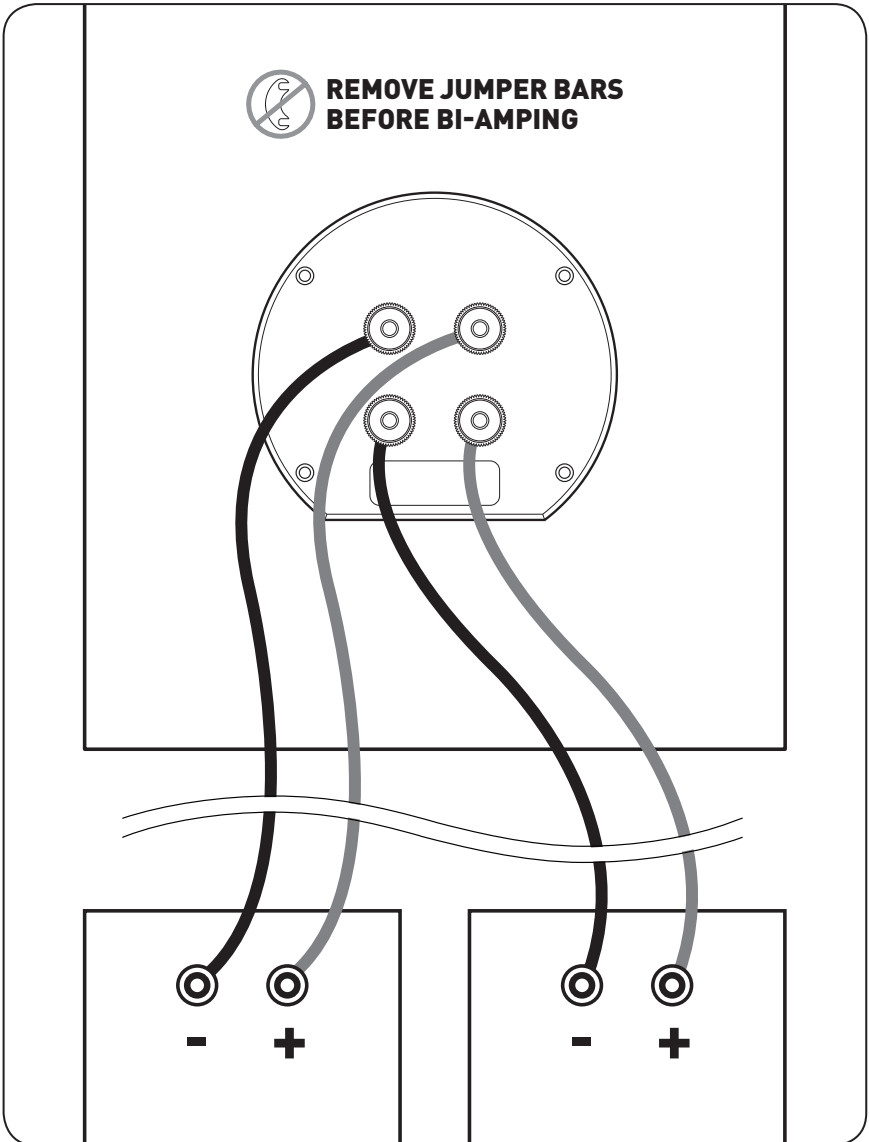
Bi-Wire Connection

Bi-wiring can improve clarity and openness with less grain and more solidity to the bass. Two speaker cables are required for each speaker that is bi-wired.



Bi-Amp Connection

IMPORTANT! When bi-amping, always use amplifiers with identical gain. If uniform amplifier gain is not maintained the speaker-to-speaker balance will be incorrect when vertically bi-amped, or the speaker system's frequency balance will be incorrect when horizontally bi-amped. To prevent problems, use identical amplifiers (brand and model). Make sure they are operating in the same non-bridged or bridged mode.



SPEAKER CONNECTION *(continued)*

Passive bi-amping offers a dramatic improvement in clarity, openness and detail, with much better bass solidity and definition. The presentation of music and movie soundtracks is simply more intelligible and transparent.

With passive bi-amping, the speaker's internal passive crossovers remain connected. An external electronic crossover is not required and cannot be used (there is no direct electrical access to individual drive units). This saves expense and setup difficulties. Passive bi-amping optimizes your speaker to achieve the best possible high-end performance.

To bi-amplify, two power amplifiers are required. Connection can be either vertical or horizontal.

Horizontal Bi-Amplification

Horizontal Bi-Amplification (*shown on previous page*) dedicates one amplifier to your speakers' mid/low-frequency inputs and another to their high-frequency inputs. This configuration can maintain better clarity when listening at loud levels—if low-frequency demands cause amplifier clipping, distortion will still be kept away from high-frequency drivers. Connect your speakers to one amplifier at a time.

Vertical Bi-Amplification

Vertical Bi-Amplification (*not shown*) dedicates one amplifier to each speaker. This configuration provides complete channel separation, which optimizes your system's imaging ability. Connect your speakers to one amplifier at a time.

FINE TUNING

Once you have your speakers positioned in the room and have set speaker distances and calibrated speaker levels through your A/V Processor or A/V Receiver, it's time for a little fine tuning.

Following the instructions in this Owner's Manual, once you have your speakers positioned in the room and have set speaker distances and speaker level calibration with your A/V Processor or A/V Receiver, it's time for a little fine tuning.

Since Paradigm Prestige™ speakers are designed to provide exceptional high-end performance in a variety of room settings, fine tuning is simply a matter of making slight adjustments to their placement in the room, if necessary.

Start with just the front speakers and listen to familiar music in stereo. The soundstage will be both wide and deep, but this can be tuned to your personal preference by adjusting the toe-in (the amount the speakers are turned toward the listening area). More toe-in will increase image depth and localization; less toe-in will increase image width. Adjust the toe-in in small increments, listening each time, until you achieve the soundstage balance you prefer.

Toe-in is not applicable to the other speakers in your system since their position and sound distribution pattern is fixed.

Fine tuning for the center channel is simply a matter of making level adjustments that may be required for any particular multichannel music or movie program. If required, adjust A/V Processor or A/V Receiver levels to ensure that there is always a cohesive overall soundstage.

To Fine tune surround/rear speakers, please follow the illustrations in the earlier section.
To Fine tune the subwoofer, please refer to the Owner's Manual that was included with your subwoofer.

BASIC TROUBLESHOOTING



Warning: Do not open the product. Under no circumstances should the product be repaired by anyone other than an authorized Paradigm Dealer, as this will invalidate the warranty. Please contact Paradigm Customer Support for more information.

If a problem occurs, you can try the troubleshooting suggestions listed below. If one of these doesn't remedy the problem, or you are not sure how to proceed, please contact the Paradigm Customer Support team and we will be happy to help.

Customer Support

- Visit our website at paradigm.com/support
- Email us at techsup@paradigm.com

PROBLEM	SOLUTION
No Sound	<ul style="list-style-type: none">• Make sure receiver, preamp or amplifier is plugged in and turned on.• Check power outlet at the wall is working.• Are headphones plugged in, or is the system on Mute?• Re-check all connections.
No Sound from One or More Speakers	<ul style="list-style-type: none">• Check your balance control.• Check that all power cords are properly plugged in and functioning.
Lack of Bass or Dislocated Image	<ul style="list-style-type: none">• One or more speakers may be connected out of phase (their polarity is reversed).• Re-check to ensure that each speaker's cable is connected with correct polarity: red (+) to red (+) and black (-) to black (-).

SPECIFICATIONS

	Prestige 95F	Prestige 85F
Design	4-driver, 2-1/2 way floorstanding	4-driver, 2-1/2 way floorstanding
Crossover	2nd order electro-acoustic at 2.0 kHz (tweeter/mid); 2nd order @ 400 Hz (mid/bass)	2nd order electro-acoustic at 2.0 kHz (tweeter/mid); 2nd order @ 500 Hz (mid/bass)
High-Frequency Driver	1" (25 mm) X-PAL™ dome, ferro-fluid damped / cooled, Perforated Phase Alignment (PPA™) tweeter lens	1" (25 mm) X-PAL™ dome, ferro-fluid damped / cooled, Perforated Phase Alignment (PPA™) tweeter lens
Midrange Driver	N/A	N/A
Bass/Midrange Drivers	8" (203 mm) X-PAL™ driver, overmolded Active Ridge Technology (ART™) surround, IMS/SHOCK-MOUNT™	6.5" (165 mm) X-PAL™ driver, overmolded Active Ridge Technology (ART™) surround, IMS/SHOCK-MOUNT™
Bass Driver	Two 8" (203 mm) X-PAL™ drivers, overmolded Active Ridge Technology (ART™) surrounds, IMS/SHOCK-MOUNT™	Two 6.5" (165 mm) X-PAL™ drivers, overmolded Active Ridge Technology (ART™) surrounds, IMS/SHOCK-MOUNT™
Low-Frequency Extension*	24 Hz	29 Hz
Frequency Response: <i>On-Axis</i> <i>30° Off-Axis</i>	+/- 2 dB from 37 Hz to 20 kHz +/- 2 dB from 37 Hz to 17 kHz	+/- 2 dB from 40 Hz to 20 kHz +/- 2 dB from 40 Hz to 17 kHz
Sensitivity – Room/Anechoic	94 dB / 91 dB	93 dB / 90 dB
Suitable Amplifier Power Range	15 - 450 watts	15 - 350 watts
Maximum Input Power**	240 watts	200 watts
Impedance	Compatible with 8 ohms	Compatible with 8 ohms
Dimensions (h x w x d) [†]	44" x 9-1/4" x 14-3/4" 111.8 cm x 23.5 cm x 37.5 cm	40" x 8-1/8" x 12-1/2" 101.6 cm x 20.6 cm x 31.8 cm
Weight (unpacked)	68 lb (31 kg) each	57 lb (26 kg) each
Finish: <i>Gloss</i> <i>Satin</i>	Piano Black & Midnight Cherry Walnut & Black Walnut	Piano Black & Midnight Cherry Walnut & Black Walnut

* DIN 45 500. Indicates -3 dB in a typical listening room.

** With typical program source provided the amplifier clips no more than 10% of the time.

† Add 1-1/8" or 2.9 cm to account for the depth of terminal posts (does not include Prestige 25S).

Prestige 75F	Prestige 55C	Prestige 45C
4-driver, 2-1/2 way floorstanding	6-driver, 3 way centre channel	4-driver, 3 way center channel
2nd order electro-acoustic at 2.0 kHz (tweeter/mid); 2nd order @ 500 Hz (mid/bass)	2nd order electro-acoustic at 2.6 kHz (tweeter/mid), 2nd order @ 750 Hz	2nd order electro-acoustic at 2.8 kHz (tweeter/mid), 2nd order @ 700 Hz
1" (25 mm) X-PAL™ dome, ferro-fluid damped / cooled, Perforated Phase Alignment (PPA™) tweeter lens	1" (25 mm) X-PAL™ domes, ferro-fluid damped / cooled, Perforated Phase Alignment (PPA™) tweeter lens	1" (25 mm) X-PAL™ domes, ferro-fluid damped / cooled, Perforated Phase Alignment (PPA™) tweeter lens
N/A	3.5" (89 mm) X-PAL™ driver, IMS/SHOCK-MOUNT™	3.5" (89 mm) X-PAL™ driver, IMS/SHOCK-MOUNT™
5.5" (140 mm) X-PAL™ driver, overmolded Active Ridge Technology (ART™) surround, IMS/SHOCK-MOUNT™	Four 5.5" (140 mm) X-PAL™ drivers, overmolded Active Ridge Technology (ART™) surrounds, IMS/SHOCK-MOUNT™	Two 5.5" (140 mm) X-PAL™ drivers, overmolded Active Ridge Technology (ART™) surrounds, IMS/SHOCK-MOUNT™
Two 5.5" (140 mm) X-PAL™ drivers, overmolded Active Ridge Technology (ART™) surrounds, IMS/SHOCK-MOUNT™	N/A	N/A
34 Hz	37 Hz	50 Hz
+/- 2 dB from 44 Hz to 20 kHz +/- 2 dB from 44 Hz to 17 kHz	+/- 2 db from 55 Hz - 20 kHz +/- 2 db from 55 Hz - 17 kHz	+/- 2 db from 75 Hz - 20 kHz +/- 2 db from 75 Hz - 17 kHz
92 dB / 89 dB	94 dB / 91 dB	93 dB / 90 dB
15 - 220 watts	15 - 260 watts	15 - 220 watts
170 watts	190 watts	150 watts
Compatible with 8 ohms	Compatible with 8 ohms	Compatible with 8 ohms
36-1/4" x 7" x 10" 92.1 cm x 17.8 cm x 25.4 cm	7-1/2" x 32" x 11-1/2" 19 cm x 81.3 cm x 29.2 cm	7-1/2" x 18-3/8" x 10-1/2" 19 cm x 46.7 cm x 26.7 cm
47 lb (21.3 kg) each	49 lb (22.2 kg)	32 lb (14.5 kg)
Piano Black & Midnight Cherry Walnut & Black Walnut	Piano Black & Midnight Cherry Walnut & Black Walnut	Piano Black & Midnight Cherry Walnut & Black Walnut

SPECIFICATIONS *(continued)*

	Prestige 25S	Prestige 15B
Design	5-driver, 3 way surround channel	2-driver, 2 way bookshelf / stand mounted
Crossover	2nd order electro-acoustic at 2.0 kHz (tweeter), 2nd order Ω 600Hz bass)	2nd order electro-acoustic at 2.0 kHz
High-Frequency Driver	Two 1" (25 mm) X-PAL™ domes, ferro-fluid damped / cooled, Perforated Phase Alignment (PPA™) tweeter lens	1" (25 mm) X-PAL™ dome, ferro-fluid damped / cooled, Perforated Phase Alignment (PPA™) tweeter lens
Midrange Driver	Two 3.5" (89 mm) X-PAL™ drivers, IMS/SHOCK-MOUNT™	N/A
Bass/Midrange Drivers	N/A	5.5" (140 mm) X-PAL™ driver, overmolded Active Ridge Technology (ART™) surround, IMS/SHOCK-MOUNT™
Bass Driver	6.5" (165 mm) X-PAL™ driver, overmolded Active Ridge Technology (ART™) surround, IMS/SHOCK-MOUNT™	N/A
Low-Frequency Extension*	65 Hz	42 Hz
Frequency Response: <i>On-Axis</i> <i>30° Off-Axis</i>	+/- 2 db from 125 Hz - 20 kHz +/- 2 db from 125 Hz - 17 kHz	+/- 2 db from 57 Hz - 20 kHz +/- 2 db from 57 Hz - 17 kHz
Sensitivity – Room/Anechoic	91 dB / 88 dB	90 dB / 87 dB
Suitable Amplifier Power Range	15 - 180 watts	15 - 150 watts
Maximum Input Power**	130 watts	90 watts
Impedance	Compatible with 8 ohms	Compatible with 8 ohms
Dimensions <i>(h x w x d)†</i>	8-5/8" x 16-1/4" x 6-1/2" 21.9 cm x 41.3 cm x 16.5 cm	12-1/8" x 7" x 9-3/8" 30.8 cm x 17.8 cm x 23.8 cm
Weight <i>(unpacked)</i>	17.6 lb (8 kg) each	16 lb (7.3 kg) each
Finish: <i>Gloss</i> <i>Satin</i>	Black	Piano Black & Midnight Cherry Walnut & Black Walnut

* DIN 45 500. Indicates -3 dB in a typical listening room.

** With typical program source provided the amplifier clips no more than 10% of the time.

† Add 1-1/8" or 2.9 cm to account for the depth of terminal posts (does not include Prestige 25S).

LIMITED WARRANTY

Paradigm® Prestige™ speakers covered in this manual are warranted to be and remain free of manufacturing and/or material defects for a period of five (5) years from the date of original purchase. Within the time period specified, repair, replacement or adjustment of parts for manufacturing and/or material defects will be free of charge to the original owner.

Thermal or mechanical abuse/misuse is not covered under warranty.

Limitations:

- Warranty begins on date of original retail purchase from an Authorized Paradigm® Dealer only. It is not transferable;
- Warranty applies to product in normal home use only. If product is subjected to any of the conditions outlined in the next section, warranty is void;
- Warranty does not apply if the product is used in professional or commercial applications.

Warranty is Void if:

- The product has been abused (intentionally or accidentally);
- The product has been used in conjunction with unsuitable or faulty equipment;
- The product has been subjected to damaging signals, derangement in transport, mechanical damage or any abnormal conditions;
- The product (including cabinet) has been tampered with or damaged by an unauthorized service facility;
- The serial number has been removed or defaced.

Owner Responsibilities:

- Provide normal/reasonable operating care and maintenance;
- Provide or pay for transportation charges for product to service facility;
- Provide proof of purchase (your sales receipt given at time of purchase from your Authorized Paradigm® Dealer must be retained for proof-of-purchase date).

Should servicing be required, contact your nearest Authorized Paradigm® Dealer, Paradigm Electronics Inc. or Import Distributor (outside the U.S. and Canada) to arrange, bring in or ship prepaid, any defective unit. Visit our website, **paradigm.com** for more information.

Paradigm Electronics Inc. reserves the right to improve the design of any product without assuming any obligation to modify any product previously manufactured.

This warranty is in lieu of all other warranties expressed or implied, of merchantability, fitness for any particular purpose and may not be extended or enlarged by anyone. In no event shall Paradigm Electronics Inc., their agents or representatives be responsible for any incidental or consequential damages. Some jurisdictions do not allow limitation of incidental or consequential damages, so this exclusion may not apply to you.

Retain this manual and your sales receipt for proof of warranty term and proof of purchase.

NOTES

Manuel de l'utilisateur de la série

PRESTIGE^{MD}



IMPORTANT : À LIRE AVANT DE MONTER L'ENCEINTE AMBIOPHONIQUE PARADIGM PRESTIGE 25S SUR UN MUR :



Fixez l'enceinte ambiophonique Paradigm Prestige 25S de façon sécuritaire pour ne pas qu'elles tombent et causent des blessures ou des dommages.



Paradigm NE FOURNIT PAS le matériel pour monter l'enceinte ambiophonique Paradigm Prestige 25S sur un mur. Le matériel de montage illustré l'est à titre d'exemple uniquement; le matériel variera en fonction du type de mur.



Effectuez l'installation dans une cloison sèche de 1/2 po (13 mm) ou de 5/8 po (16 mm) uniquement. Les vis doivent être assez longues pour traverser les boulons d'ancrage (*non compris*) et bien se fixer dans la cloison sèche.

NON-RESPONSABILITÉ : Nous savons que les assemblages de montage fournis avec les enceintes dans ce manuel peuvent être utilisés à des fins et de façons autres que celles pour lesquelles elles sont conçues. Le fabricant, le distributeur, le revendeur et leurs agents respectifs ne peuvent être tenus responsables de blessures ou dommages directs, indirects ou consécutifs découlant de l'utilisation de ces pièces ou de l'incapacité de les utiliser de façon sûre et convenable. Tous les efforts ont été déployés afin de fournir des instructions d'installation exactes et exemptes d'erreurs. Paradigm Electronics Inc. décline toute responsabilité concernant des difficultés pouvant découler d'une interprétation incorrecte des renseignements fournis dans le présent manuel.



DIRECTIVES EUROPEENNES SUR LE RECYCLAGE ET LE TRAITEMENT DES DECHETS

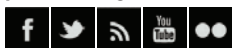


Dans le respect de la directive WEEE (Waste Electrical & Electronic Equipment) mise en place par les institutions Européennes à compter du 13 Août 2005, nous souhaitons vous informer que nos enceintes peut contenir des matières devant faire l'objet d'une procédure de recyclage ou de traitement approprié des déchets. Dans cette optique, Paradigm Electronics Inc. (fabricant des enceintes Paradigm et des électroniques Anthem) avec ses Distributeurs agréés dans l'Union Européenne, ont mis en place une procédure de collecte et de retraitement gratuite. Pour en savoir davantage sur cette procédure veuillez contacter votre revendeur, ou notre Distributeur dans votre pays (vous en obtiendrez les coordonnées sur simple demande ou en consultant notre site internet paradigm.com).

Notez que seul le produit fini est concerné par cette directive et ses obligations. S'agissant de son emballage et de ses accessoires de transport nous vous recommandons de les recycler selon les procédures mises en place par votre commune ou votre département.

PARADIGM, PARADIGM REFERENCE COLLECTION, PRESTIGE et les conceptions et technologies connexes exclusives et brevetées sont des marques de commerce déposées de Paradigm Electronics Inc. Droits d'auteur © Paradigm Electronics Inc. Tous droits réservés. Toutes les autres marques de commerce sont la propriété de leurs propriétaires respectifs. Paradigm Electronics se réserve le droit de modifier les spécifications ou les caractéristiques sans préavis, au fur et à mesure que des améliorations sont incluses.

paradigm.com



Paradigm Electronics Inc.,
205 Annagem Boulevard,
Mississauga, ON, Canada L5T 2V1

MAN0099 | 012815

TABLES DES MATIÈRES

Introduction	1	Graves équilibrées.....	9
Instructions pour le déballage (<i>enceintes au sol</i>) Fixer les pieds en caoutchouc (<i>plancher</i>) ou les crampons (<i>tapis</i>).....	2	Image optimale	10
Conseils généraux	3	Installation au mur facultative des enceintes avant	10
Rodage	3	Positionnement : enceinte centrale ...	11
Nettoyage	3	Positionnement : enceintes ambiophoniques/arrière	12
Pour éviter d'endommager les enceintes	3	Configuration ambiophonique 5.1	12
Distorsion de l'amplificateur – Le principal fautif!	3	Configuration ambiophonique 7.1	12
Les amplificateurs plus puissants sont plus sûrs	3	Montage sur un mur	12
Commande du volume	3	Montage sur un support	12
Il y a une limite!	4	Raccordement	13
La bonne puissance	4	Exigences minimales en matière de calibre	13
Acoustique de la pièce	4	Raccord standard pour le modèle Prestige 15B.....	14
Montage sur un support (<i>facultatif</i>)	5	Raccord standard pour tous les modèles (<i>à l'exception du Prestige 15B</i>)	15
Fixer les coussinets amortisseurs à des enceintes sur étagère/centrales/ ambiophoniques	6	Bi-câblage	16
Enceintes sur étagère et centrale.....	6	Bi-amplification	17
Enceintes ambiophoniques	6	Bi-amplification horizontale	18
Positionnement : enceintes avant droite et gauche	7	Bi-amplification verticale	18
Précision du timbre sonore	8	Réglage fin	18
		Résolution des problèmes de base ...	19
		Spécifications	20
		Garantie limitée	23

INTRODUCTION

Merci d'avoir acheté des enceintes de la série Prestige^{MC} de Paradigm^{MD}; nous sommes sûrs que vous entendrez l'incroyable différence qu'elles confèrent à votre musique et à votre système de cinéma maison.

Les activités de recherche et développement exhaustives de Paradigm^{MD}, une technologie de pointe, l'utilisation des meilleurs matériaux, ainsi que des techniques de fabrication et de contrôle de la qualité perfectionnées permettent d'obtenir un rendement largement supérieur de chaque composant à toutes les étapes de la conception. Les enceintes Prestige^{MC} de Paradigm^{MD} vous offriront une qualité d'écoute sans égal pendant de nombreuses années.

Pour profiter pleinement de l'excellence sonore de ces enceintes, il importe d'apporter un soin particulier à leur installation et à leur utilisation. Veuillez prendre le temps de lire ce manuel et suivez toutes les instructions. Pour toute autre question, communiquez avec votre revendeur Paradigm^{MD} Reference Collection autorisé ou consultez la page Foire aux Questions à la section du soutien technique de notre site Internet au paradigm.com.

INSTRUCTIONS POUR LE DÉBALLAGE (ENCEINTES AU SOL)

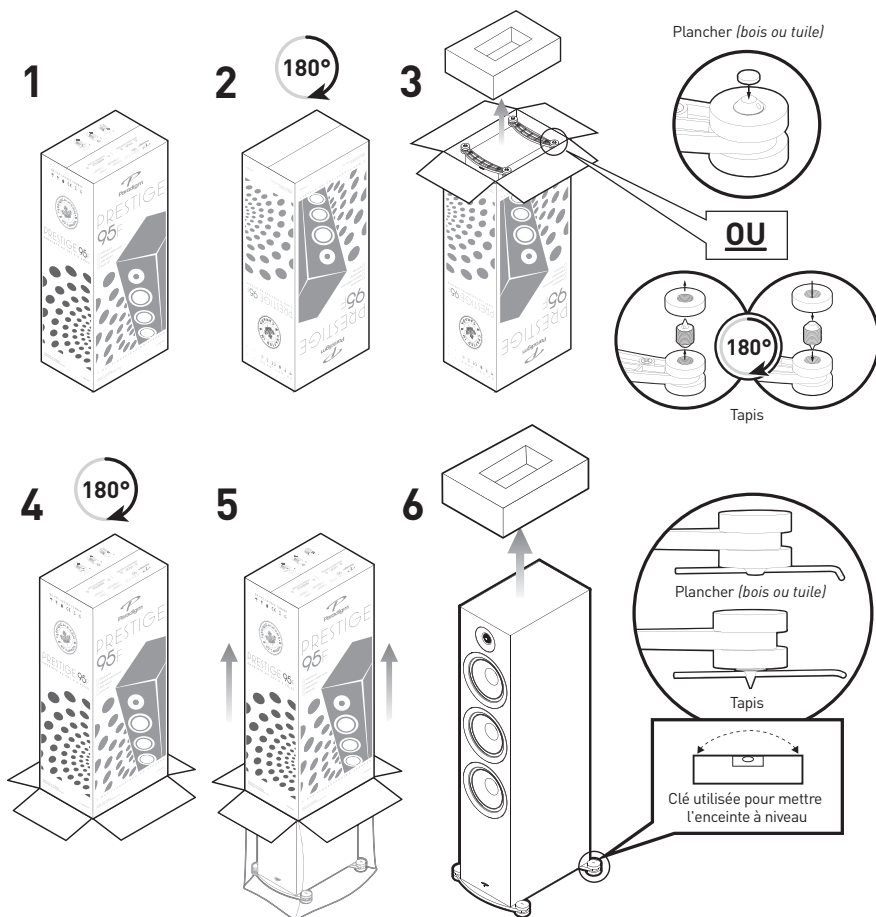
Fixer les pieds en caoutchouc (*plancher*) ou les crampons (*tapis*)



IMPORTANT! Procédez comme suit avant de continuer!



IMPORTANT! Lorsque vous retirez l'enceinte de la boîte, assurez-vous que votre boucle de ceinture, vos bagues et vos autres bijoux n'entrent pas en contact avec l'enceinte afin d'éviter d'égratigner le fini.



CONSEILS GÉNÉRAUX

Rodage

Bien que vos enceintes Paradigm Prestige offrent un son excellent « en sortant de la boîte », le son sera encore meilleur après une période de rodage. Laissez-le fonctionner pendant plusieurs heures avant toute écoute critique.

Les haut-parleurs des hautes et moyennes fréquences contiennent un ferrofluide dont la viscosité augmente à des températures inférieures à 10° C (50° F). Le matériel ambio-phonique utilisé dans les appareils à basse/ moyenne fréquence est fait d'un composé qui peut épaissir à des températures plus froides. Si les enceintes ont été transportées ou entreposées au froid, les laisser réchauffer à la température de la pièce avant de les utiliser.

Nettoyage

Vos enceintes possèdent un fini de première qualité qui doit être traité avec soin. Utiliser uniquement un linge humide et doux pour les nettoyer. Ne jamais utiliser de produits nettoyants puissants, abrasifs ou corrosifs. Éviter également les produits d'entretien ménager courants.

POUR ÉVITER D'ENDOMMAGER LES ENCEINTES

Vos enceintes Paradigm Prestige sont efficaces et peuvent produire des volumes élevés à des puissances de sortie modérées de l'amplificateur. Elles peuvent également être jumelées à des amplificateurs de haute puissance. Pour éviter d'endommager les enceintes, lire les directives suivantes avant de procéder à leur raccordement.

Distorsion de l'amplificateur – Le principal fautif!

La distorsion de la puissance provenant de l'amplificateur est la principale cause de dommages aux enceintes. À volumes élevés, il peut arriver que la puissance de l'amplificateur soit tout simplement insuffisante. L'amplificateur produira alors un signal distordu dont la puissance est de plusieurs fois supérieure à la puissance nominale. Cette puissance excessive endommagera très rapidement toute enceinte, peu importe la marque! (Consulter le revendeur pour des recommandations en matière d'amplificateurs.)

Les amplificateurs plus puissants sont plus sûrs

Un amplificateur de 40 W/canal produira une importante distorsion à des puissances supérieures à 40 W. Si la puissance sollicitée est de 50 W, il produira un signal distordu qui endommagera l'enceinte! Un amplificateur de 100 W/canal présentera une importante distorsion à plus de 100 W, mais très peu de distorsion à des puissances moindres. Ainsi, si l'enceinte sollicite 50 W, cet amplificateur produira un signal non distordu, réduisant ainsi les risques de dommages à l'enceinte.

Commande de volume

La commande de volume de l'amplificateur peut être trompeuse puisqu'elle permet seulement d'ajuster le volume d'écoute, mais n'indique pas la puissance de sortie. La puissance fournie par l'amplificateur à un réglage donné de la commande de volume dépend uniquement de la musique écoutée.

À un réglage donné de la commande de volume, un passage de musique doux sollicitera moins de puissance de l'amplificateur qu'un passage plus percutant. Pour l'écoute de pop/rock, de jazz ou de musique classique symphonique, le réglage de la commande de volume

POUR ÉVITER D'ENDOMMAGER LES ENCEINTES *(continued)*

de la plupart des amplificateurs à une position entre 11 h et 13 h sur le cadran fournit environ la puissance nominale de l'amplificateur, à moins que les fonctions de compensation (bass/treble ou loudness) ne soient utilisées, dans lequel cas la puissance nominale pourrait être atteinte à un réglage plus faible de la commande de volume.

Il importe de se rappeler que tout amplificateur produira une distorsion si la puissance sollicitée excède sa puissance de sortie nominale. Cette distorsion endommagera les enceintes! Il faut donc faire attention! Pendant l'écoute à volume élevé, il faut surveiller toute distorsion possible – si le son provenant de l'enceinte semble distordu, réduire le volume pour ne pas endommager les enceintes et/ou l'amplificateur! **La garantie ne couvre pas ce type de détérioration!** Pour l'écoute à des volumes plus élevés, utiliser un amplificateur plus puissant.

Il y a une limite!

La plage de puissance nominale donne une idée des puissances d'entrée minimum et maximum de vos enceintes. Au-delà de cette limite, l'enceinte subira des dommages. Il faut donc faire attention! À volume élevé, les commandes des basses/aiguës (bass/treble) devraient être en position « zéro » et tous les boutons de compensation ou d'égalisation (loudness/contour/bass EQ), désactivés, à défaut de quoi la puissance nominale sera atteinte à un réglage moindre du volume. Lors de l'écoute à volume élevé, vérifier s'il y a excursions excessives des cônes (mouvement de la grille) des haut-parleurs des graves. Le cas échéant, réduire le volume.

La bonne puissance

La plage de puissance nominale donne une idée des puissances d'entrée minimum et maximum des enceintes Prestige. Il est recommandé d'utiliser un amplificateur dont la puissance nominale excède la plage de puissance des enceintes. Cette puissance « de réserve » de l'amplificateur se traduira par une meilleure qualité sonore. Toutefois, il faut faire attention! Les enceintes doivent être utilisées dans leur plage de puissance pour ne pas les endommager – le volume d'écoute doit toujours être inférieur à la limite d'excursion excessive des cônes des haut-parleurs des graves.

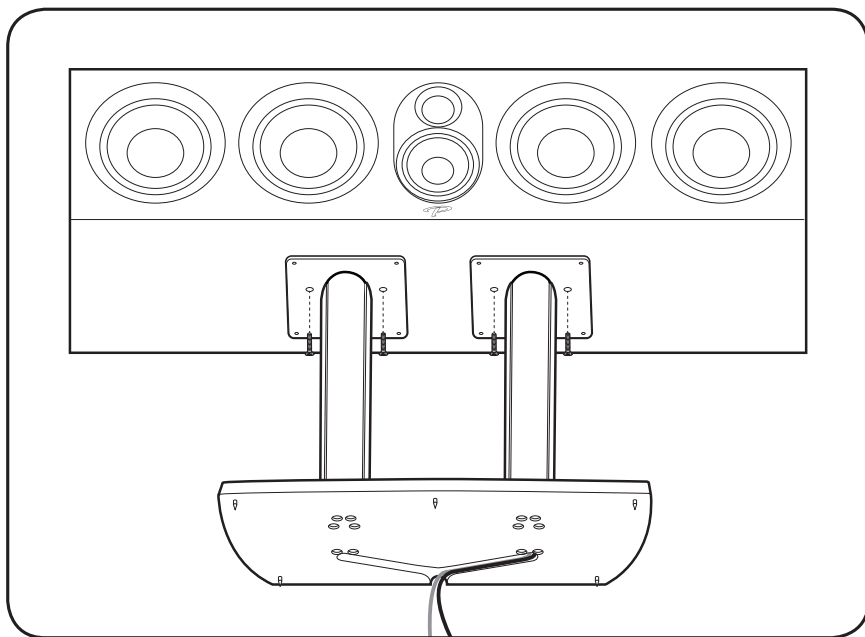
ACOUSTIQUE DE LA PIÈCE

Vos enceintes sont conçues pour offrir un son à la fine pointe de la technologie dans divers milieux d'écoute intérieurs. Il importe toutefois de noter que la construction et les dimensions de la pièce, ainsi que son contenu ont tous une incidence sur la qualité sonore qu'il sera possible d'obtenir. En général, il est recommandé d'observer les directives suivantes en ce qui concerne le positionnement des enceintes :

- La quantité d'objets « mous » (rideaux, moquettes, sofas, revêtements muraux, etc.) que renferme la pièce aura une incidence sur les moyennes et hautes fréquences. S'ils sont trop nombreux, ces objets peuvent éteindre le son produit par les enceintes. La même pièce sans aucun objet mou offrira un son généralement clair. Une quantité normale de ces objets dans la pièce offrira les caractéristiques acoustiques permettant d'obtenir des enceintes un son équilibré.
- Les planchers et murs en béton ont tendance à amplifier les problèmes liés aux ondes stationnaires des basses fréquences et ne sont donc pas idéals.
- Les pièces de hauteur, largeur et longueur semblables ne sont pas recommandées puisqu'elles peuvent se traduire par d'importants problèmes d'ondes stationnaires des basses fréquences qui réduisent la précision du son. Si aucune autre pièce n'est disponible, essayer différentes configurations du positionnement des enceintes afin de minimiser ces problèmes.

MONTAGE SUR UN SUPPORT *(facultatif)*

L'enceinte de canal central Paradigm Prestige 55C et Prestige 45C peut être montée sur un support J-18C de Paradigm si vous le souhaitez. Demandez à votre revendeur de Paradigm pour obtenir plus de détails.



Support de montage l'enceinte du canal central *(Modèle Prestige 55C illustré)*

FIXER LES COUSSINETS AMORTISSEURS À DES ENCEINTES SUR ÉTAGÈRE/CENTRALES/AMBIOPHONIQUES



IMPORTANT! Pour prévenir les dommages au fini de votre enceinte, placez la partie supérieure de votre enceinte sur une surface molle (tapis, couverture, etc.) avant de fixer les coussinets amortisseurs aux coins de la partie inférieure.

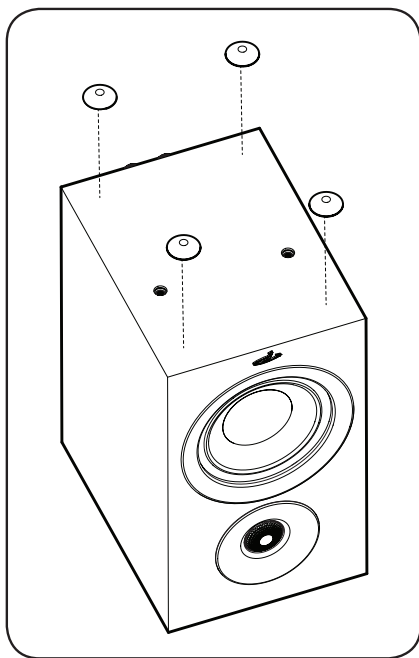
Enceintes sur étagère et centrale

Des coussinets amortisseurs (compris) doivent être apposés sur les coins inférieurs des enceintes sur étagère et de canal central Paradigm Prestige (voir les illustrations ci-dessous) lorsqu'elles sont placées sur une étagère ou une autre surface plane. Cela permettra d'isoler les enceintes de la surface solide, améliorant ainsi la qualité sonore générale.

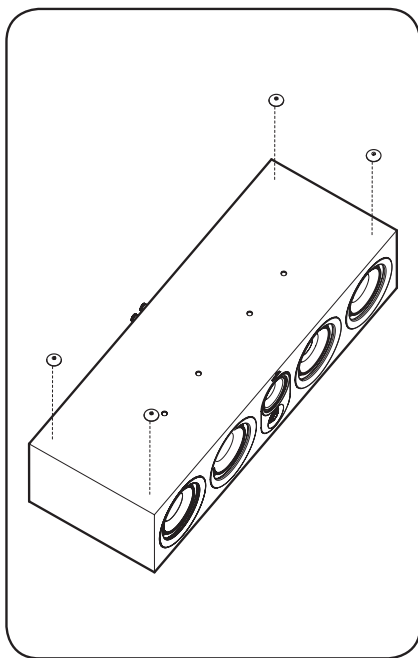
REMARQUE : Vous pouvez également monter le modèle sur étagère Paradigm Prestige 15B sur un support Paradigm. Demandez à votre revendeur Paradigm pour obtenir plus de détails.

Enceintes ambiophoniques

Vous avez aussi le choix d'apposer les coussinets amortisseurs autoadhésifs sur la partie arrière de l'enceinte ambiophonique Paradigm Prestige 25S. Cette application empêche la résonance acoustique provenant du mur sur lequel l'enceinte est montée.



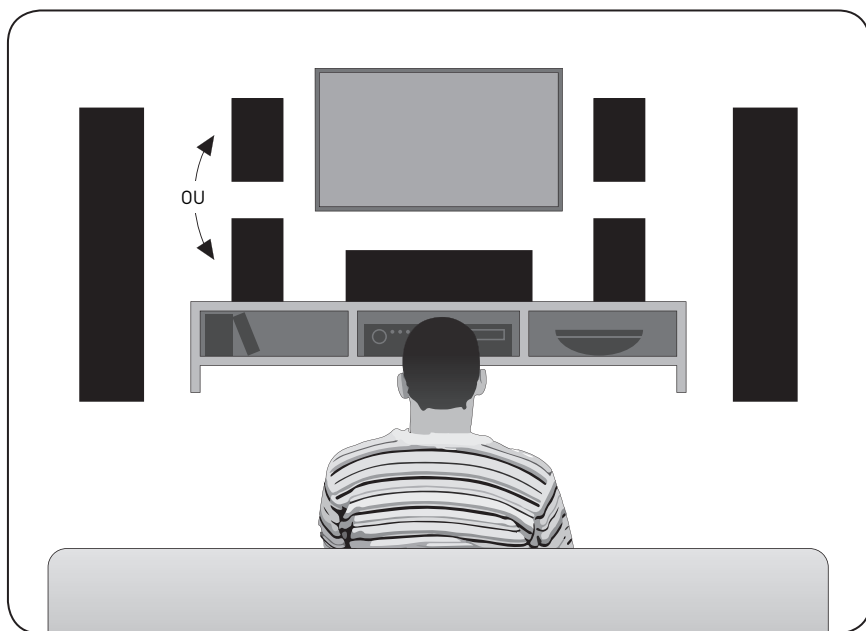
Enceinte sur étagère
(Modèle Prestige 15B illustré)



Enceinte de canal central
(Modèle Prestige 55C illustré)

POSITIONNEMENT : ENCEINTES AVANT DROITE ET GAUCHE

Les enceintes avant Prestige de Paradigm sont conçues pour permettre un positionnement souple tout en offrant une très grande fenêtre de sons dans toute la salle d'écoute. Pour obtenir le meilleur rendement possible, nous vous recommandons fortement de suivre les lignes directrices sur le positionnement des pages suivantes...



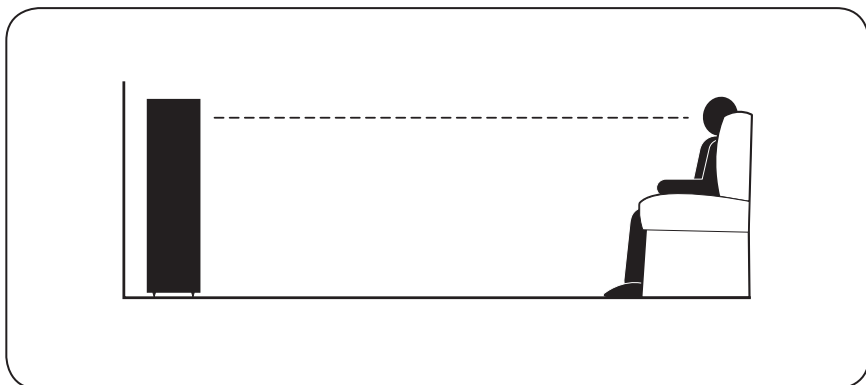
Positionnement idéal des enceintes de gauche et de droite

POSITIONNEMENT : ENCEINTES AVANT DROITE ET GAUCHE *(suite)*

Précision du timbre sonore

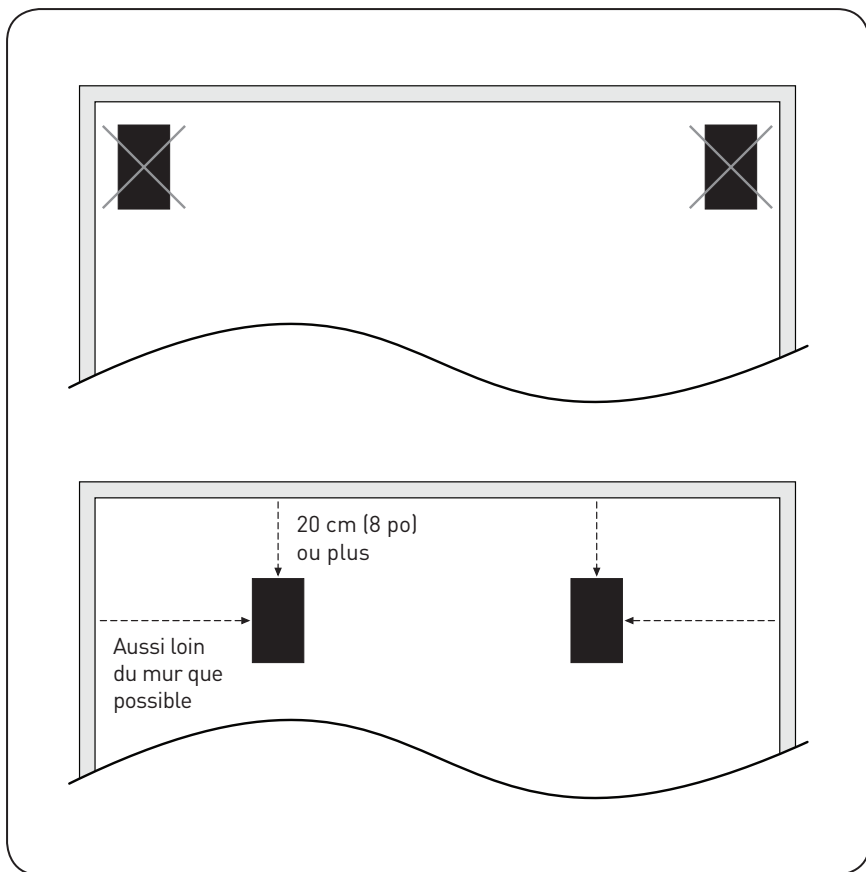
Pour obtenir le timbre le plus précis et le plus naturel possible, placez les enceintes avant de sorte que le son émanant des haut-parleurs de hautes fréquences parvienne à l'auditeur environ au niveau des oreilles, comme illustré.

Le fait de placer les modèles pour étagère sur les supports d'enceinte Paradigm (vendus séparément) ou sur des étagères permet de soulever les haut-parleurs de hautes fréquences environ au niveau des oreilles, ce qui permet d'obtenir le meilleur rendement possible.



Graves équilibrées

Le positionnement des enceintes avant dans les coins de la pièce accentuera trop les graves et réduira la clarté du son. Évitez de placer les enceintes dans les coins. Positionnez chaque enceinte à 20 cm (8 po) ou plus du mur situé derrière elle et le plus loin possible des murs latéraux, comme illustré. Ainsi, vous obtiendrez un meilleur rendement des graves et une clarté maximale des fréquences moyennes.



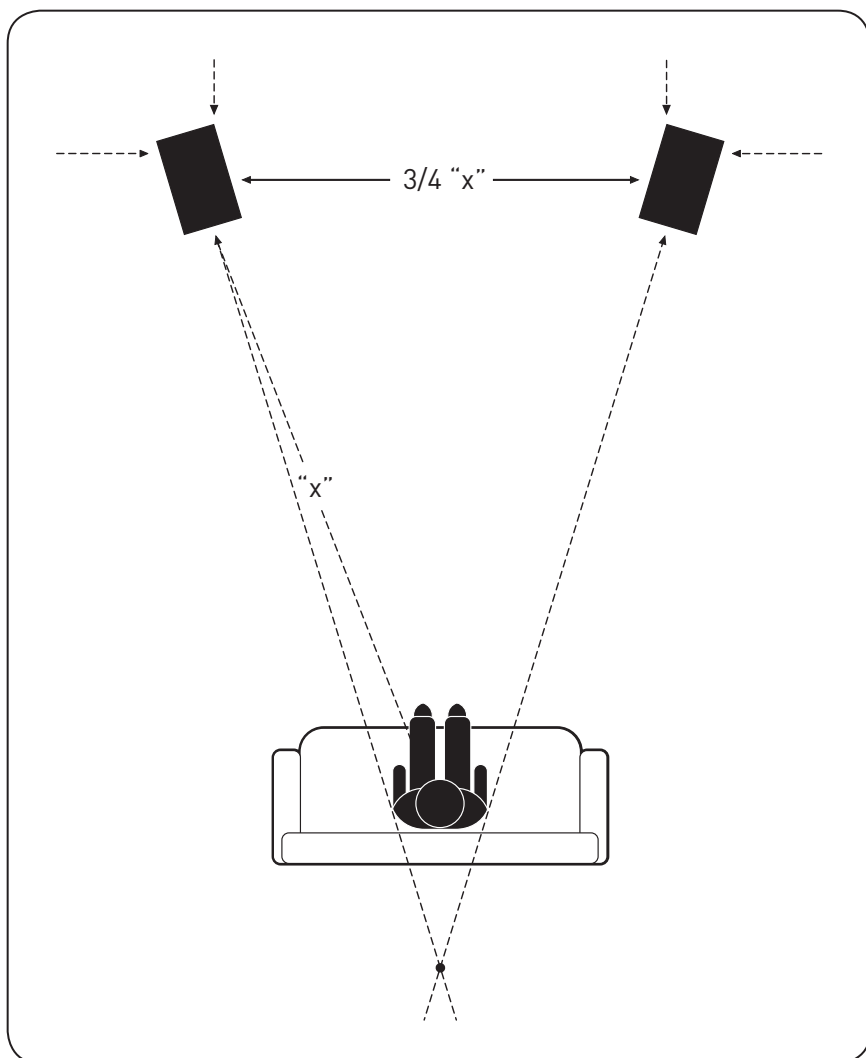
POSITIONNEMENT : ENCEINTES AVANT DROITE ET GAUCHE *(suite)*

Image optimale

Mesurez la distance de la principale aire d'écoute aux enceintes avant (distance « X »). Pour une image sonore optimale, placez les enceintes aux trois quarts de cette distance et jusqu'à cette même distance l'une de l'autre ($3/4$ de X à X), comme illustré. Pour une image encore meilleure, orientez les enceintes légèrement vers l'aire d'écoute de sorte que leurs axes se croisent juste derrière cette dernière, comme illustré.

Installation au mur facultative des enceintes avant

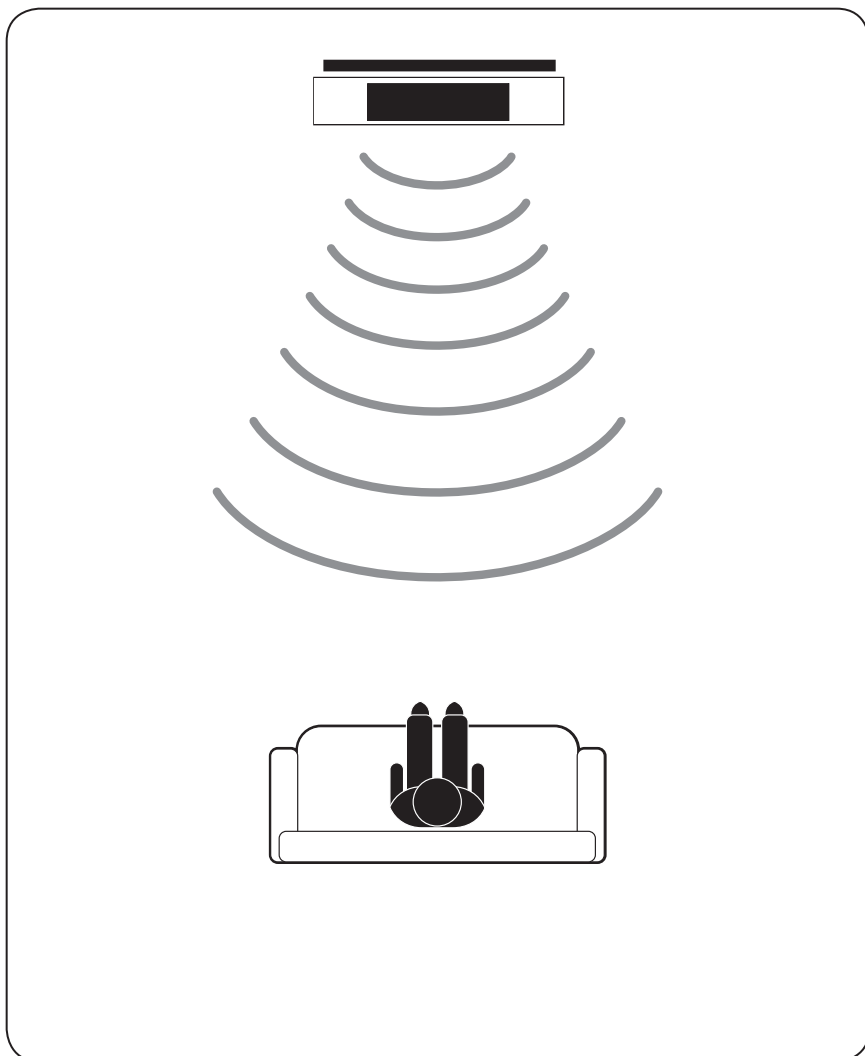
Suivez les instructions de positionnement de la section « Image optimale » ci-dessus, ainsi que les instructions de montage incluses avec les supports de montage (vendus séparément) pour un montage sûr et sécuritaire des enceintes sur un mur.



POSITIONNEMENT : ENCEINTE CENTRALE

Les enceintes de canal central de la série Prestige de Paradigm sont conçues pour couvrir une vaste aire d'écoute, permettant à des auditeurs dans toute la pièce d'entendre un signal du canal central d'une clarté et d'une intelligibilité sans précédent.

Pour obtenir une clarté et une intelligibilité maximales, placez l'enceinte de canal central au-dessous (ou au-dessus) de la télévision. Pour éviter une réflexion sonore non désirée, placez l'enceinte à égalité avec le devant de la télévision ou de l'étagère. Assurez-vous que l'enceinte de canal central soit environ à la même distance de la principale aire d'écoute que les enceintes avant. (Certains processeurs et récepteurs A/V peuvent s'ajuster électroniquement à des variations de distance.)



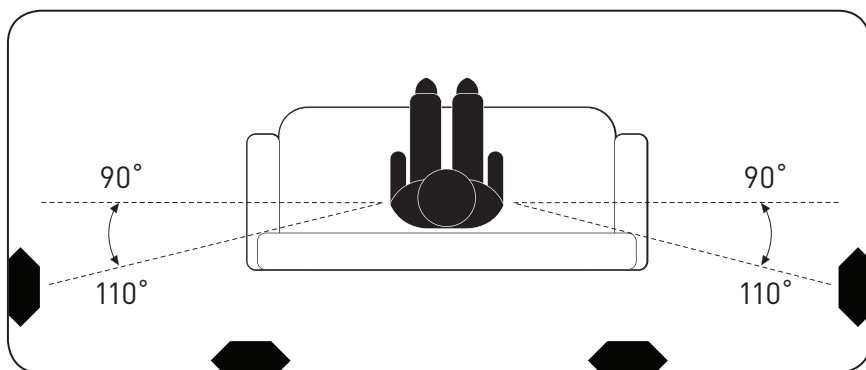
POSITIONNEMENT : ENCEINTES AMBIOPHONIQUES/ARRIÈRE

Configuration ambiophonique 5.1

Placez une enceinte de chaque côté de l'aire d'écoute, comme illustré.

Configuration ambiophonique 7.1 [ajoute deux enceintes arrière à une configuration ambiophonique 5.1 typique].

Placez les enceintes derrière l'aire d'écoute – une légèrement à droite, l'autre légèrement à gauche, comme illustré.



Montage sur un mur

Pour obtenir les instructions sur le montage au mur du modèle Prestige 25S, consultez les instructions sur le montage au mur qui accompagnent l'enceinte.

Montage sur un support

Pour obtenir les instructions sur le montage sur un support du modèle Prestige 25S, consultez les instructions sur le montage sur un support qui accompagnent le support de la série J de Paradigm. Demandez à votre revendeur Paradigm pour obtenir plus de détails.

RACCORDEMENT



IMPORTANT! Éteignez l'amplificateur avant de raccorder les enceintes. Vous éviterez ainsi les dommages qui pourraient survenir lors du court-circuit accidentel des câbles d'enceinte.

Pour obtenir un son optimal, il est essentiel d'utiliser des câbles de haute qualité. Le tableau ci-dessous indique les exigences minimales de calibre pour les différentes longueurs de câble. (Voir le revendeur pour obtenir de plus amples renseignements).

EXIGENCES MINIMALES EN MATIÈRE DE CALIBRE		
LONGUEUR	DIAMÈTRE	CALIBRE
Moins de 4,5 m (15 pi)	1,3 mm (0,05 po)	16 awg
Moins de 9 m (30 pi)	1,6 mm (0.06 po)	14 awg
Plus de 9 m (30 pi)	2,0 mm (0.08 po)	12 awg

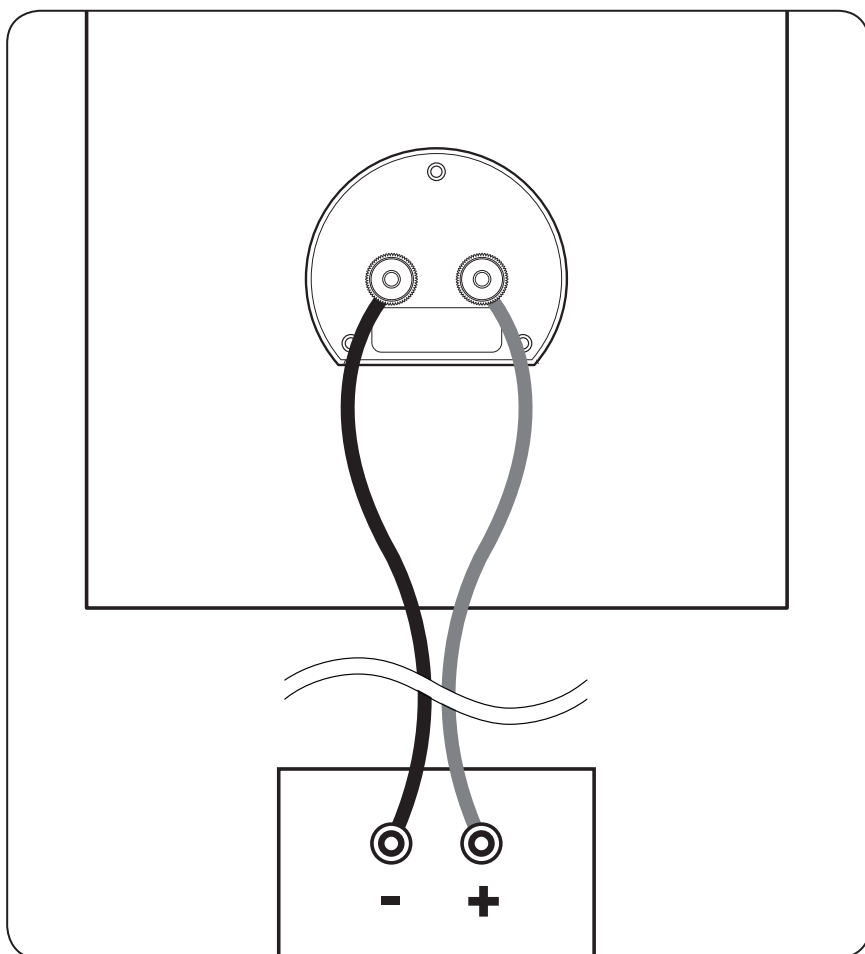
RACCORDEMENT *(suite)*

Raccord standard pour le modèle Prestige 15B

Les bornes de raccordement des enceintes peuvent être utilisées avec des prises bananes ou à broches ou des cosses rectangulaires, ainsi qu'avec des fils nus. Serrez les bornes fermement à la main, mais pas excessivement!

Pour une bonne image sonore et un bon rendement des graves, la bonne polarité (phase) est nécessaire. Raccordez une enceinte à la fois pour assurer le bon raccordement de chaque canal. Raccordez la borne rouge (+) de l'amplificateur à la borne rouge (+) de l'enceinte. Le même principe s'applique aux bornes noires (-). Assurez-vous que tous les câbles sont bien fixés. Répétez la même procédure pour chacune des enceintes du système.

NOTE : si une déficience des graves ou une image stéréophonique disloquée est perçue, il se peut qu'une ou plusieurs des enceintes soient déphasées (polarité inversée). Vérifiez de nouveau que chaque câble d'enceinte est branché avec la bonne polarité : rouge (+) à rouge (+) et noir (-) à noir (-).



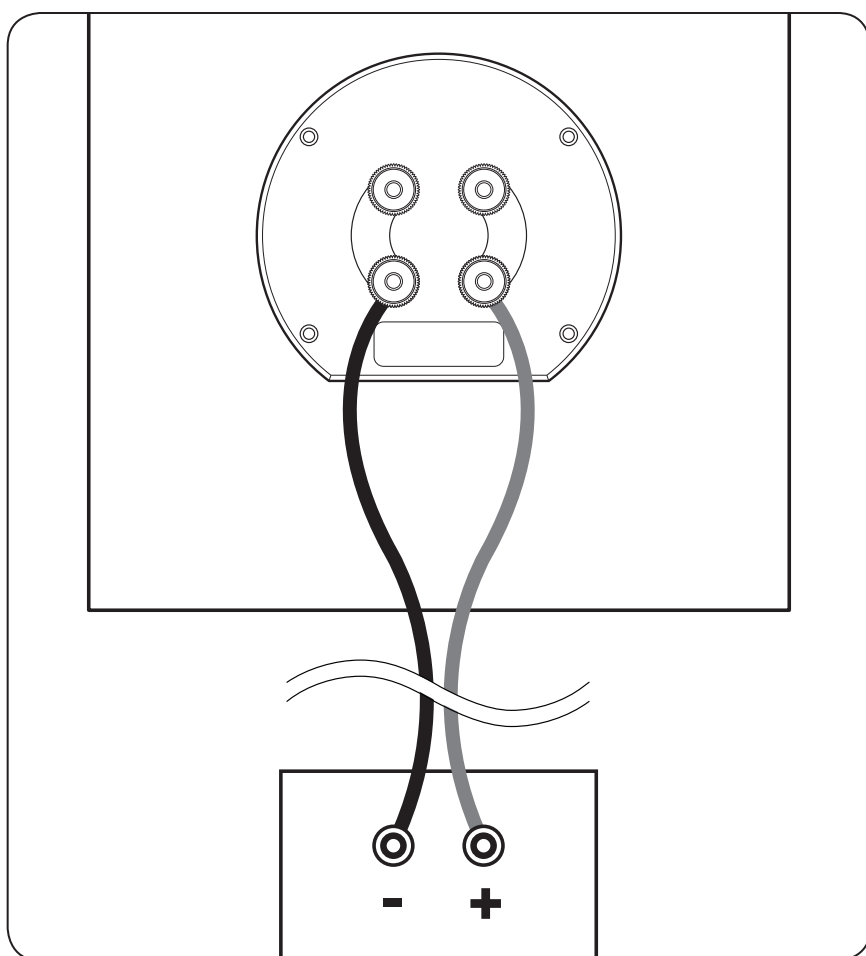
Raccord standard pour tous les modèles (à l'exception du Prestige 15B)



NE PAS raccorder les enceintes par bi-câblage ou bi-amplification avant d'avoir retiré les barrettes de court-circuit.

Toutes les enceintes Paradigm Prestige (sauf le modèle 15B) sont dotées de deux ensembles de bornes raccordées de façon externe à des barrettes de court-circuit.

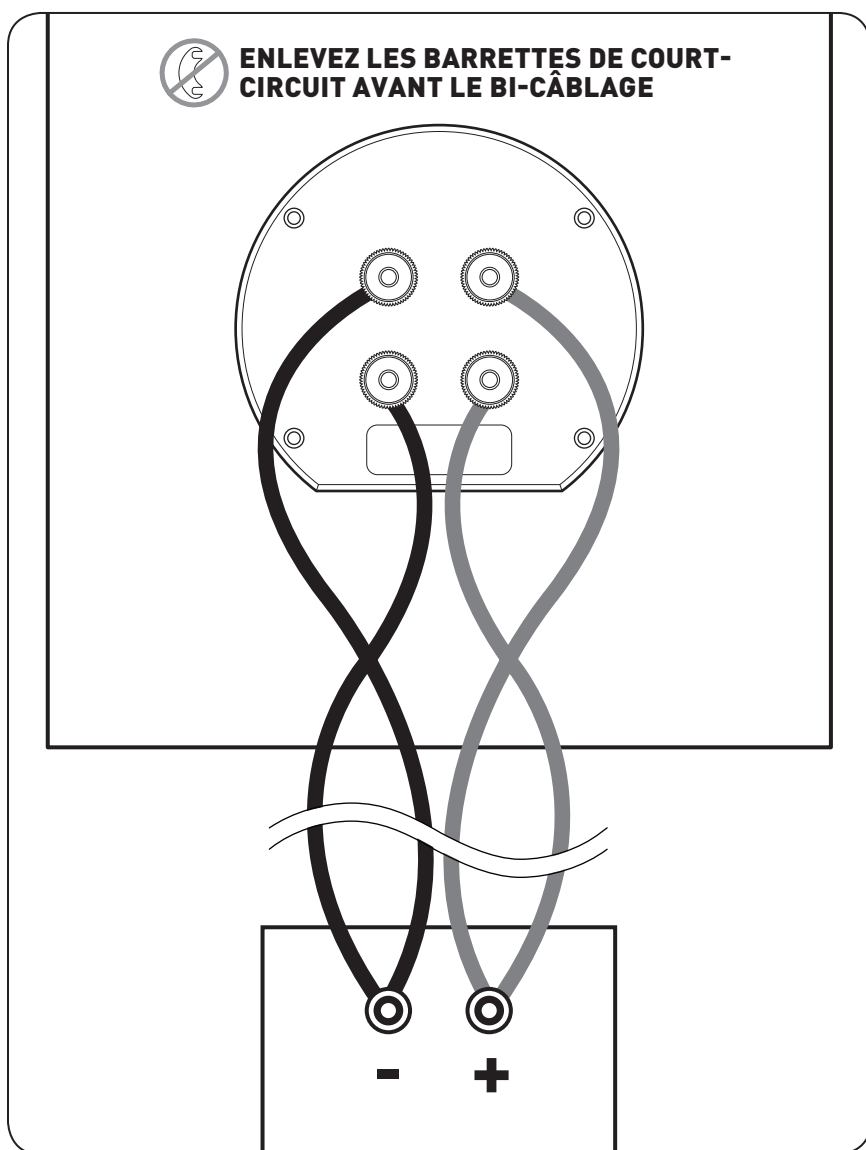
Pour le raccord standard d'enceintes dotées de deux ensembles de bornes d'entrée, ne retirez pas les barrettes de court-circuit et raccordez l'un ou l'autre des ensembles de bornes d'entrée.



RACCORDEMENT *(suite)*

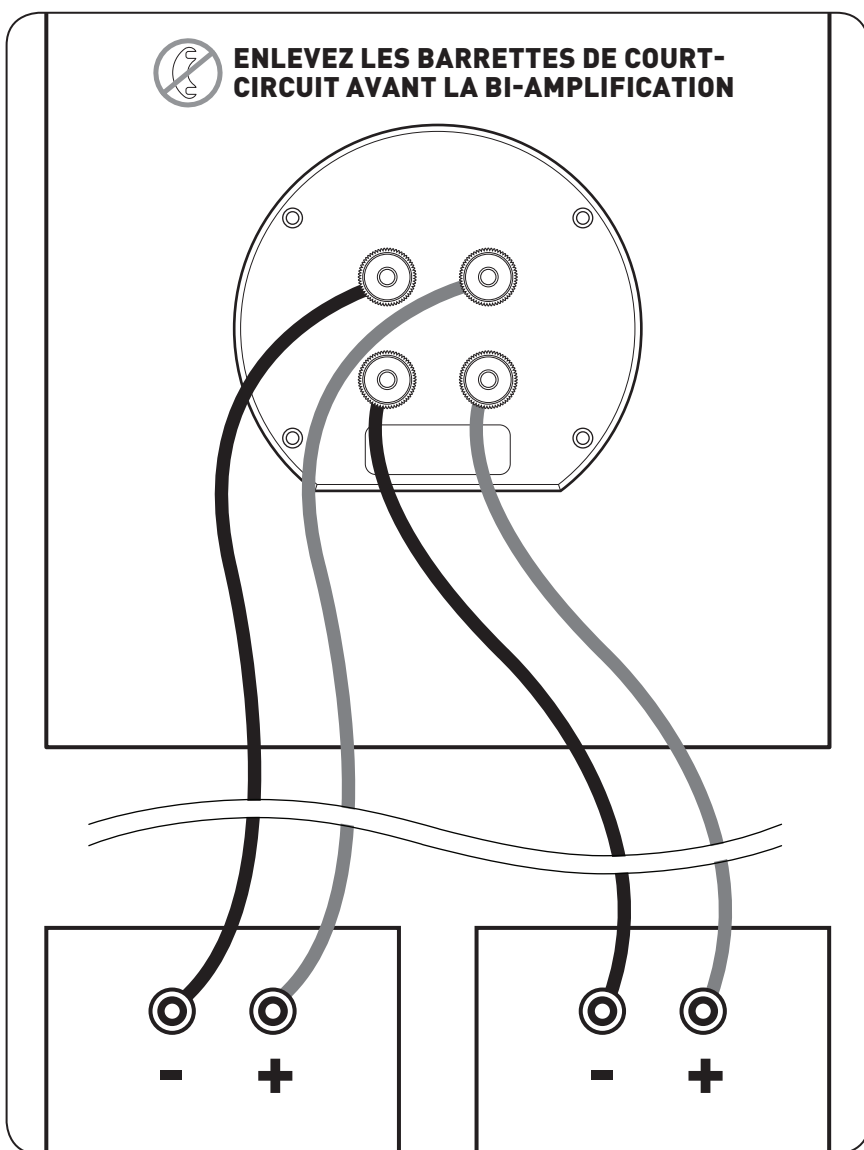
Bi-câblage

Le bi-câblage peut améliorer la clarté, l'amplitude et la robustesse des graves tout en réduisant la granulation. Deux câbles sont nécessaires pour chaque enceinte ainsi raccordée.



Bi-amplification

IMPORTANT! Pour la bi-amplification, toujours utiliser des amplificateurs présentant un gain identique. Si un gain d'amplificateur uniforme n'est pas maintenu, l'équilibre enceinte-à-enceinte sera incorrect en mode vertical, alors que l'équilibre des fréquences du système d'enceintes sera incorrect en mode horizontal. Pour éviter ces problèmes, utilisez des amplificateurs identiques (de mêmes marque et modèle). Assurez-vous qu'ils fonctionnent dans le même mode de relais en pont ou sans relais en pont.



RACCORDEMENT *(suite)*

La bi-amplification passive améliore considérablement la clarté, l'amplitude et les détails du signal, ainsi que la robustesse et la précision des graves. La reproduction musicale ou de trames sonores est tout simplement plus claire et transparente.

Avec la bi-amplification passive, les filtres passifs (crossover) internes de l'enceinte demeurent raccordés. Un filtre passif externe n'est pas nécessaire et ne peut être utilisé (il n'y a pas d'accès électrique direct aux différents haut-parleurs). Cela réduit les coûts et les difficultés d'installation. La bi-amplification passive optimise votre enceinte pour obtenir la meilleure performance possible des enceintes.

Pour la bi-amplification, deux amplificateurs sont nécessaires. Le raccordement peut être en mode vertical ou horizontal.

Bi-amplification horizontale

La bi-amplification horizontale (illustrée à la page précédente) affecte un amplificateur à la reproduction des signaux de moyennes et basses fréquences et un autre, à celles des signaux de hautes fréquences. Cette configuration assure une plus grande clarté à volume élevé – si les basses fréquences nécessitent un écrêtage, les haut-parleurs de hautes fréquences ne subiront pas de distorsion. Raccordez les enceintes à un amplificateur à la fois.

Bi-amplification verticale

La bi-amplification verticale (non illustrée) affecte un amplificateur à chaque enceinte. Cette configuration permet la séparation complète des canaux, ce qui optimise la capacité de reproduction de l'image sonore du système. Raccordez les enceintes à un amplificateur à la fois.

RÉGLAGE FIN

Une fois que les enceintes sont placées dans la pièce, que la distance des enceintes est établie et que les niveaux d'enceinte ont été calibrés par l'entremise du processus ou du récepteur A/V, il est temps de faire un réglage fin.

Après avoir suivi les instructions du présent manuel de l'utilisateur, une fois que les enceintes sont positionnées dans la pièce et que les distances et la calibration des niveaux des haut-parleurs ont été réglées à l'aide du processeur ou du récepteur A/V, un réglage fin peut s'imposer.

Puisque les enceintes Prestige de Paradigm offrent une excellente performance dans différentes pièces, ce réglage consiste simplement en de petites modifications (au besoin) à leur positionnement dans la pièce.

Commencez par les enceintes avant et faites jouer de la musique bien connue en mode stéréophonique. L'image sonore sera large et profonde, mais il est possible de la régler selon ses propres préférences en ajustant l'angle de convergence des enceintes (la mesure dans laquelle elles sont orientées vers l'aire d'écoute). Un angle de convergence important produira une image profonde et localisée, alors qu'un faible angle se traduira par une image plus large. Modifiez légèrement l'angle de convergence des différentes enceintes en écoutant le résultat après chaque modification, jusqu'à obtention de l'image souhaitée.

Ce concept ne s'applique pas aux autres enceintes du système puisque leur position et la distribution sonore qui en résulte ne varient pas.

En ce qui concerne les enceintes centrales, des modifications pourraient être nécessaires selon le programme multicanaux donné de musique ou de film. Au besoin, réglez les niveaux du processeur ou du récepteur A/V pour obtenir une image sonore globale cohérente.

Pour le réglage fin des enceintes ambiophoniques/arrière, suivez les illustrations de la section précédente.

Pour le réglage fin du caisson de sous-graves, consultez le guide de l'utilisateur compris avec le caisson de sous-graves.

RÉSOLUTION DES PROBLÈMES DE BASE



Avertissement : N'ouvrez pas le produit. Le produit ne doit, en aucun cas, être réparé par une autre entité qu'un centre de réparation Paradigm agréé, sous peine d'annulation de la garantie. Pour plus d'informations, contactez le support client de Paradigm.

Si un problème survient, vous pouvez essayer les suggestions de résolution répertoriées ci-dessous. Si aucune d'elles ne permet de résoudre le problème ou si vous n'êtes pas certain de la procédure à suivre, contactez le support client de Paradigm et nous vous aiderons avec plaisir.

Support client

- Visitez notre site Web à l'adresse paradigm.com/support
- Contactez-nous par e-mail à l'adresse techsup@paradigm.com

PROBLÈME	SOLUTION
Aucun son	<ul style="list-style-type: none">• S'assurer que le préamplificateur ou l'amplificateur est branché et allumé.• Vérifier que la prise de courant fonctionne correctement.• Des écouteurs sont-ils branchés ou le système est-il en mode sourdine [mute]?• Vérifier tous les raccords.
Aucun son d'une ou plusieurs enceintes	<ul style="list-style-type: none">• Vérifier la commande de réglage d'équilibre (balance).• Vérifier le branchement et le fonctionnement de tous les cordons d'alimentation.
Déficiência des graves ou image disloquée	<ul style="list-style-type: none">• One or more speakers may be connected out of phase [their polarity is reversed].• Re-check to ensure that each speaker's cable is connected with correct polarity: red (+) to red (+) and black (-) to black (-).

SPÉCIFICATIONS

	Prestige 95F	Prestige 85F
Design	4 haut-parleurs, 2-1/2 voies au sol	4 haut-parleurs, 2-1/2 voies au sol
Raccord	Électroacoustique 2e ordre à 2.0 kHz (aigu/moyen); 2e ordre à 400 Hz (moyen/graves)	Électroacoustique 2e ordre à 2.0 kHz (aigu/moyen); 2e ordre à 500 Hz (moyen/grave)
Haut-parleur de haute fréquence	Dôme X-PAL ^{MC} de 1 po (25mm), ferrofluide amorti/refroidi, lentille d'aigu PPA ^{MC}	Dôme X-PAL ^{MC} de 1 po (25mm), ferrofluide amorti/refroidi, lentille d'aigu PPA ^{MC}
Haut-parleur de moyenne fréquence	N/D	N/D
Haut-parleur basse/moyenne fréquence	Haut-parleur X-PAL ^{MC} de 8 po (203 mm), ambiophonique surmoulé ART ^{MC} , IMS/SHOCK MOUNT ^{MC}	Haut-parleur X-PAL ^{MC} de 6,5 po (165 mm), ambiophonique surmoulé ART ^{MC} , IMS/SHOCK MOUNT ^{MC}
Haut-parleur basse fréquence	Deux haut-parleurs X-PAL ^{MC} de 8 po (203 mm), ambiophonique surmoulé ART ^{MC} , IMS/SHOCK MOUNT ^{MC}	Deux haut-parleurs X-PAL ^{MC} de 6,5 po (165 mm), ambiophonique surmoulé ART ^{MC} , IMS/SHOCK MOUNT ^{MC}
Extension de basse fréquence*	24 Hz	29 Hz
Courbe de résonnance : <i>sur l'axe</i> <i>30° hors axe</i>	+/- 2dB de 37Hz - 20kHz +/- 2dB de 37Hz - 17kHz	+/- 2dB de 40Hz - 20kHz +/- 2dB de 40Hz - 17kHz
Sensibilité – salle / anéchoïque	94 dB / 91 dB	93 dB / 90 dB
Gamme de puissance de l'amplificateur appropriée	15-450 watts	15-350 watts
Puissance d'entrée max.**	240 watts	200 watts
Impédance	Compatible avec 8 ohms	Compatible avec 8 ohms
Dimensions (h x l x p) [†]	44 po x 9-1/4 po x 14-3/4 po 111,8 cm x 23,5 cm x 37,5 cm	40 po x 8-1/8 po x 12-1/2 po 101,6 cm x 20,6 cm x 31,8 cm
Poids	68 lb (31 kg)	57 lb (26 kg)
Fini : <i>Brillant</i> <i>Satin</i>	Noir piano, cerise de minuit Noix et noix foncée	Noir piano, cerise de minuit Noix et noix foncée

* DIN 45 500 Indique -3 dB dans une salle d'écoute typique.

** Avec un programme source typique, attendu que l'amplificateur n'écrête pas plus de 10 % du temps.

† Ajoutez 1-1/8 po ou 2,9 cm pour tenir compte de la profondeur des bornes de terminal (ne comprend pas le modèle Prestige 25S).

Prestige 75F	Prestige 55C	Prestige 45C
4 haut-parleurs, 2-1/2 voies au sol	6 haut-parleurs, canal central à 3 voies	4 haut-parleurs, canal central à 3 voies
Électroacoustique 2e ordre à 2.0 kHz [aigu/moyen]; 2e ordre à 500 Hz [moyen/grave]	Électroacoustique 2e ordre à 2.6 kHz [aigu/moyen]; 2e ordre à 750 Hz	Électroacoustique 2e ordre à 2.8 kHz [aigu/moyen]; 2e ordre à 700 Hz
Dôme X-PAL ^{MC} de 1 po (25mm), ferrofluide amorti/refroidi, lentille d'aigu PPA ^{MC}	Dôme X-PAL ^{MC} de 1 po (25mm), ferrofluide amorti/refroidi, lentille d'aigu PPA ^{MC}	Dôme X-PAL ^{MC} de 1 po (25mm), ferrofluide amorti/refroidi, lentille d'aigu PPA ^{MC}
N/D	Haut-parleur X-PAL ^{MC} de 3,5 po (89 mm), IMS/SHOCK MOUNT ^{MC}	Haut-parleur X-PAL ^{MC} de 3,5 po (89 mm), IMS/SHOCK MOUNT ^{MC}
Haut-parleur X-PAL ^{MC} de 5,5 po (140 mm), ambiophonique surmoulé ART ^{MC} , IMS/SHOCK MOUNT ^{MC}	4 haut-parleurs X-PAL ^{MC} de 5,5 po (140 mm), ambiophonique surmoulé ART ^{MC} , IMS/SHOCK MOUNT ^{MC}	Deux haut-parleurs X-PAL ^{MC} de 5,5 po (140 mm), ambiophonique surmoulé ART ^{MC} , IMS/SHOCK MOUNT ^{MC}
Deux haut-parleurs X-PAL ^{MC} de 5,5 po (140 mm), ambiophonique surmoulé ART ^{MC} IMS/SHOCK MOUNT ^{MC}	N/D	N/D
34 Hz	37Hz	50 Hz
+/- 2dB de 44Hz - 20kHz +/- 2dB de 44Hz - 17kHz	+/- 2dB de 55Hz - 20kHz +/- 2dB de 55Hz - 17kHz	+/- 2dB de 75Hz - 20kHz +/- 2dB de 75Hz - 17kHz
92 dB / 89 dB	94 dB / 91 dB	93 dB / 90 dB
15-220 watts	5-260 watts	15-220 watts
170 watts	190 watts	150 watts
Compatible avec 8 ohms	Compatible with 8 ohms	Compatible avec 8 ohms
36-1/4 po x 7 po x 10 po 92,1 cm x 17,8 cm x 25,4 cm	7-1/2 po x 32 po x 11-1/2 po 19 cm x 81,3 cm x 29,2 cm	7-1/2 po x 18-3/8 po x 10-1/2 po 19 cm x 46,7 cm x 26,7 cm
47 lb [21,3 kg]	49 lb [22,2 kg]	32 lb [14,5 kg]
Noir piano, cerise de minuit Noix et noix foncée	Noir piano, cerise de minuit Noix et noix foncée	Noir piano, cerise de minuit Noix et noix foncée

SPÉCIFICATIONS *(suite)*

	Prestige 25S	Prestige 15B
Design	5 haut-parleurs, canal ambiophonique à 3 voies	2 haut-parleurs, 2 voies sur étagère
Raccord	Électroacoustique 2e ordre à 2.0 kHz (aigu); 2e ordre à 600 Hz (grave)	Électroacoustique 2e ordre à 2,0 kHz
Haut-parleur de haute fréquence	Deux dômes X-PAL ^{MC} de 1 po (25mm), ferrofluide amorti/refroidi, lentille d'aigu PPA ^{MC}	Dôme X-PAL ^{MC} de 1 po (25mm), ferrofluide amorti/refroidi, lentille d'aigu PPA ^{MC}
Haut-parleur de moyenne fréquence	Deux haut-parleurs X-PAL ^{MC} de 3,5 po (89 mm), IMS/SHOCK MOUNT ^{MC}	N/D
Haut-parleur basse/moyenne fréquence	N/D	Haut-parleur X-PAL ^{MC} de 5,5 po (140 mm), ambiophonique surmoulé ART ^{MC} , IMS/SHOCK MOUNT ^{MC}
Haut-parleur basse fréquence	Haut-parleur X-PAL ^{MC} de 6,5 po (165 mm), ambiophonique surmoulé ART ^{MC} , IMS/SHOCK MOUNT ^{MC}	N/D
Extension de basse fréquence*	65Hz	42 Hz
Courbe de résonnance : sur l'axe 30° hors axe	+/- 2dB de 125Hz - 20kHz +/- 2dB de 125Hz - 17kHz	+/- 2dB de 57Hz - 20kHz +/- 2dB de 57Hz - 17kHz
Sensibilité – salle / anéchoïque	91 dB / 88 dB	90 dB / 87 dB
Gamme de puissance de l'amplificateur appropriée	15-180 watts	15-150 watts
Puissance d'entrée max.**	130 watts	90 watts
Impédance	Compatible avec 8 ohms	Compatible avec 8 ohms
Dimensions (h x l x p) [†]	8-5/8 po x 16-1/4 po x 6-1/2 po 21,9 cm x 41,3 cm x 16,5 cm	12-1/8 po x 7 po x 9-3/8 po 30,8 cm x 17,8 cm x 23,8 cm
Poids	17,6 lb (8 kg) each	16 lb (7,3 kg)
Fini : Brillant Satin	Noir	Noir piano, cerise de minuit Noix et noix foncée

* DIN 45 500 Indique -3 dB dans une salle d'écoute typique.

** Avec un programme source typique, attendu que l'amplificateur n'écrite pas plus de 10 % du temps.

† Ajoutez 1-1/8 po ou 2,9 cm pour tenir compte de la profondeur des bornes de terminal (ne comprend pas le modèle Prestige 25S).

GARANTIE LIMITÉE

Vos nouvelles enceintes sont garanties contre les défauts de matériaux et de fabrication pendant une période de **cinq (5)** ans à compter de la date d'achat du matériel neuf. Durant cette période, la réparation, le remplacement ou le réglage de pièces pour des défauts de matériaux ou de fabrication ne seront pas à la charge du premier acheteur.

Les dommages causés par l'exposition abusive à la chaleur ou l'usage abusif ne sont pas couverts par la présente garantie.

Clauses spécifiques :

- La garantie entre en vigueur à la date d'achat par le premier acheteur chez un revendeur autorisé Paradigm^{MD}. La garantie n'est pas transférable;
- La garantie s'applique aux enceintes pour une utilisation domestique normale. Si les enceintes sont soumises à l'une des conditions définies dans le paragraphe suivant, la garantie est nulle;
- La garantie ne s'applique pas à un usage commercial ou professionnel.

La garantie est révoquée si :

- L'enceinte est soumise à un usage abusif (accidentel ou intentionnel);
- L'enceinte est utilisée avec un équipement défectueux ou non adéquat;
- L'enceinte est soumise à des signaux électriques dommageables, un transport dangereux, des dommages matériels ou toute autre condition anormale;
- L'enceinte (y compris le boîtier) sont altérés ou endommagés lors d'une réparation non autorisée;
- La plaque du numéro de série du produit est enlevée ou défigurée.

Responsabilités du propriétaire :

- Apporter un soin et un entretien normaux et raisonnables;
- Assumer les frais de transport jusqu'à l'atelier de réparation;
- Fournir une preuve d'achat (conserver le reçu fourni lors de l'achat par le revendeur autorisé Paradigm^{MD} comme preuve de la date d'acquisition).

Si une réparation est nécessaire, contacter le revendeur autorisé Paradigm^{MD}, Paradigm Electronics Inc. ou le distributeur à l'étranger (à l'extérieur du Canada et des États-Unis) pour planifier l'envoi prépayé de l'enceinte défectueuse. Consulter le site [Web **paradigm.com**](http://Web.paradigm.com) pour plus d'information.

Paradigm Electronics Inc. se réserve le droit d'améliorer ou de modifier ses produits en tout temps sans responsabilité ou engagement envers les produits existants.

La présente garantie de qualité marchande tient en lieu et place de toute autre garantie explicite ou implicite et ne peut être modifiée, élargie ou étendue à d'autres obligations par quiconque. Paradigm Electronics Inc. et ses représentants ou agents ne peuvent pas être tenus responsables de dommages découlant de l'utilisation de ces produits. Là où une réglementation spécifique interdit une telle limitation de la responsabilité, cette exclusion ne s'applique pas.

Conserver le présent manuel et le reçu comme preuves d'achat jusqu'au terme de la garantie.

NOTES